



Technical catalogue

AC Induction Servomotors High Dynamic Performance Series

Power and productivity
for a better world™





	Digit	1	2	3	4	5	6	7	8	9	10	11	12	13	14	15	16	17
Type code structure:		C	M	3	1	3	0	0	0	0	2	0	0	2	A	0	0	0
Type of motor		K	W	C	V	D	T	F										
Pos. 1		IP54 HDP (UL)	IP23 HDP (UL)	IP54 HDP	IP23 HDP	IP54 DRIVE-AX	IP23 TETRAVEC	IP54 FLUID-AX										
Shaft height		D	F	H	M	N	R	T	U									
Pos. 2		H63	H80	H100	H132	H160	H200	H250	H315									
Stator length																		
Pos. 3:		from 1 to 6 (see technical data)																
Nominal speed																		
Pos. 4:		from 0 to 7 (0=500 rpm; 1=1000; 2=1500; A=1750; 3=2000; 4=2500; 5=3000; 6=3500; 7=4000)																
Construction and mounting details																		
Pos. 5:		Terminal box position and fan position A = IP23 terminal box right side and fan upside D = IP23 terminal box left side and fan upside 3 = IP54 terminal box upside axial fan, for different position on IP23 see table page 6 Mounting position																
Pos. 6:		Mounting From 100 to 200 0 = B3 / B5 / B35, 1 = V15, 3 = V35 250: 4 = B3, 0 = B5, 5 = V5, 6 = V6																
Pos. 7 and 8:		Position transducer 00 = Without transducer, 02 = HTL 1024 ppr, 20 = TTL 1024 ppr, 03 = HTL 2048 ppr, 22 = TTL 2048 ppr, 52 = 1Vpp 1024 sin/cos, 53 = 1Vpp 2048 sin/cos 0K = HTL 1024 ppr, 2K = TTL 1024 ppr (with connector not in terminal box, mandatory for 250)																
Pos. 9:		Holding brake 0 = Without brake, 1 = Standard spring brake, 2 = Special spring brake high torque																
Pos. 10:		Shaft details 2 = With keyway, without oil seal, 3 = Without key way, without oil seal																
Pos. 11:		Bearings type 0 = Ball bearings, 1 = Roller bearings, 7 = High speed ball bearings, 8 = High speed roller bearings																
Pos. 12:		Shaft details 0 = Standard for H100, H132, H160, H200, H250 1 = Special for H100, H132, H160, H250 / Standard for H200																
Pos. 13:		Thermal protection 1 = 3 x Thermal switch in terminal box, 2 = 3 x PTC in terminal box																
Supply voltage																		
Pos. 14:		A= 400V motor power supply and 400V 50 Hz fan power supply B= 460V motor power supply and 460V 60 Hz fan power supply U= 690V motor power supply and 460V 60 Hz fan power supply																
Painting																		
Pos. 15:		0 = Black RAL 9005																
Accessories																		
Pos. 16 and 17:		Accessories 00 = No accessories, 01 = 230 V Anti-Condensation heaters, 02 = Microswitches for radial fan 04 = Insulated ball bearing for size HDP H100, H132, H160 (not necessary for H200 size since this function is basic)																

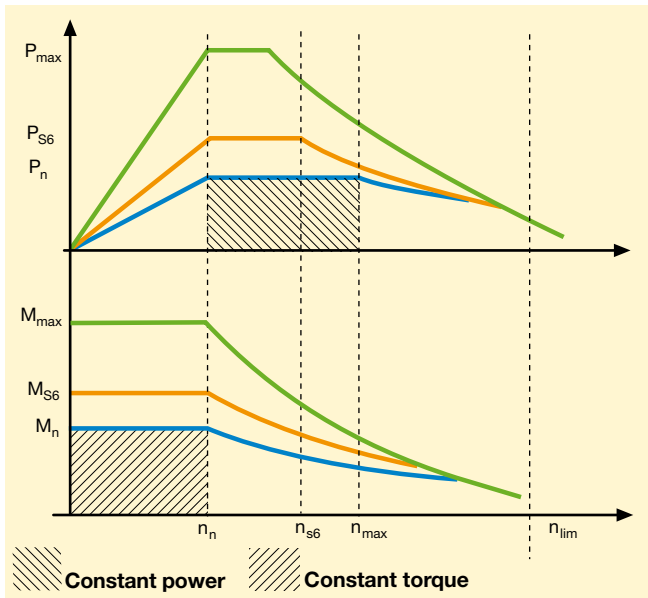
Grey configuration are available on request.



AC Induction Servomotors.....	6
Sizing.....	6
Mounting Arrangements.....	6
General.....	7
Main features	7
Option.....	7
Industries and applications.....	7
Accessories	8
Holding brake	8
Cooling fan	8
Position Transducers.....	9
Thermal Protection.....	9
Bearings	10
Technical Data	11
HDP IP54 Series Axial fan, H100.....	11
HDP IP54 Series Axial fan, H132.....	12
HDP IP54 Series Axial fan, H160.....	13
HDP IP54 Series Axial fan, H200.....	14
Dimension and weight	15
HDP IP54 Series Axial fan, H100 - H132.....	15
HDP IP54 Series Axial fan, H160 - H200.....	16
Technical data	17
HDP IP23 Series radial fan, H100.....	17
HDP IP23 Series radial fan, H132.....	18
HDP IP23 Series radial fan, H160.....	19
HDP IP23 Series radial fan, H200.....	20
HDP IP23 Series radial fan, H250.....	21
Dimension and weight	23
HDP IP23 Series radial fan, H100 - H132.....	23
HDP IP23 Series radial fan, H160 - H200.....	24
HDP IP23 Series radial fan, H250.....	25



HDP - Power and torque calculation



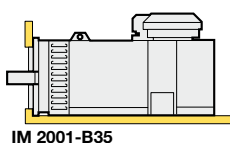
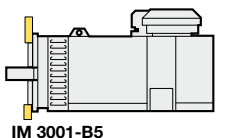
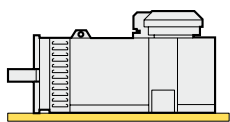
- n_n Nominal speed
- n_{max} End constant power
- n_{S6} Max speed in S6
- n_{lim} Mechanical limit speed
- P_n Nominal power
- P_{S6} Power in S6
- P_{max} Max power
- M_n Nominal torque
- M_{S6} Torque in S6
- T_{max} Max torque

Main formulas

Formula	Symbol	Unit	Meaning
$P = M \times \omega$	P	(W)	Power
	M	(Nm)	Torque
	ω	(rad/s)	Angular speed
$\omega = n \times \frac{2 \Pi}{60}$	ω	(rad/s)	Angular speed
	n	(RPM)	Rev.per minute
$M_{RMS} = \sqrt{\frac{\sum M^2 \times t}{T}}$	M_{RMS}	(Nm)	Average torque
	M	(Nm)	Cycle torque
	t	(s)	Cycle time
	T	(s)	Total time

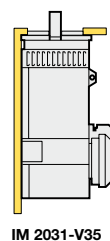
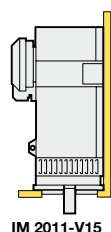
Mounting arrangements

HORIZONTAL



Standard motor is B35 if necessary can be mounted B3 or B5.

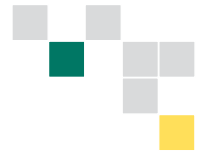
VERTICAL



Option vertical mounting is available if necessary can be mounted V1, V5, V9, V6.

Additional position for IP23

Code Pos 5	Description
B	Terminal box upside fan leftside
C	Terminal box upside fan rightside
E	Terminal box rightside fan leftside
F	Terminal box leftside fan rightside



Generals

AC Induction Servomotors HDP Series, have been designed to be used in rough operating conditions and to operate especially with the modern frequency converter (inverter).

The square frame design and the high overload capacity give to the motors an excellent dynamic response due to the low moment of inertia and high pulse torque.

The motors can be equipped with an optional mechanical integrated holding brake and a positioning encoder.

Main features

- IP54 protection for HDP-C with axial fan cooling system
- IP23 protection for HDP-V with radial fan cooling system
- Standard type of construction IMB3 - B5 and B35, H250 standard type B3
- Thermal class (Insulation class) F
- Ambient temperature range from 0 to +40°C
Altitude of site $h < 1000$ m above sea level
Relative air humidity < 95 % (no condensation)
- Motor shaft available with or without keyway acc. to IEC 72
- Vibration grade: A acc. to IEC 60034-14
- Tolerance class: N acc. to IEC 60072-1
- Forced axial and radial air fan cooling, 3-phases Supply
- Holding brake (optional)
- Motor transducers: encoders HTL e TTL (1024 pulses/rev.; 5/10-30V standard), resolver and 1 Vpp Sin/Cos.
- Available oversized terminal box for large cables
- Standard painting RAL 9005 (black)
- Winding protection thermal switches (NC contacts) integrated in the winding overhang
- Number of poles 4 (H132, 160, 200, 250) and 6 (H100)
- Rated motors voltage 400V-460V (690 V optional by using du/dt filter)
- Max motor speed depending on bearings type
- Shielded and greased-for-life Ball Bearings as standard. Roller Bearings optional for high radial loads with nipple for re-greasing.
- Standard Insulated bearing on H200 and H250 size. Suggested on other sizes above 100 kW
- CE and UL Approval

Option

- Reinforced holding brake
- Special Temperature sensor on request
- Second end shaft
- Front roller bearing
- Special cooling system
- Air noise suppressors for forced radial fan
- Special mounting systems (e.g. vertical mounting)
- High speed bearing

Industries and applications

HDP motors are ideal for following applications:

- Plastic and rubber
 - Extruder, calenders
 - Injection moulding machine
 - Winders and Unwinders machine
 - Blow moulding machines
- Printing
 - Web and label printing
 - Sheet-fed printing, commercial printing
- Paper and paperboard, film & foil converting
 - Calendering, slitter, coating
- Cranes
- Amusement park industry
- Machine tools



Holding brake

If necessary, the motor can be arranged with an embedded holding brake.

Technical data for holding brakes

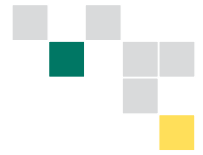
Motor Type	Version	Torque Nm	Power W	Current A	Voltage	Max Speed (rpm)			
CH	Standard	50	33	1,38	24 V DC	8000			
	Improved	80							
CM	Standard	80	67	2,79			7000		
	Improved	180							
CN	Standard	180				469		2,13	230 V AC
	Improved	400							
CR	Standard	400			33	1,38	24 V DC	8000	
	Improved	800							
VH	Standard	80	67	2,79	7000				
	Improved	125							
VM	Standard	180				469	2,13	230 V AC	3000
	Improved	400							
VN	Standard	400			884	2,21	400 V AC	2300	
	Improved	800							
VR	Standard	800	884	2,21	400 V AC	2300			
	Improved	1200							
VT	Standard	1200							

Cooling fan

Motors are available as standard with forced air cooling, with an axial fan IP54, or a radial fan IP23. As standard, motors IP23 are provided with an air fan filter.

Technical data for fan

Protection	Shaft height	Supply Voltage	Power	Current	Certification
IP54	H100	400 V 50 Hz	53	0,15	CE
		400 V 60 Hz	70	0,14	
	H132	400 V 50 Hz	110	0,22	
		400 V 60 Hz	160	0,26	
	H160	400 V 50 Hz	110	0,22	
		400 V 60 Hz	160	0,26	
IP23	H100	400 V 50 Hz	250	0,7	CE /UL
		460 V 60 Hz	250	0,7	
	H132	400 V 50 Hz	370	1,1	
		460 V 60 Hz	370	1,1	
	H160	400 V 50 Hz	1100	2,4	
		460 V 60 Hz	1100	2,4	
H200/H250	400 V 50 Hz	3000	6,2		
	460 V 60 Hz	3000	6,2		
IP54	H100	230 V 50 Hz 1-phase	64	0,30	UL
		230 V 60 Hz 1-phase	78	0,34	
	H132	400 V 50 Hz	150	0,30	
		460 V 60 Hz	200	0,35	
	H160	400 V 50 Hz	150	0,30	
		460 V 60 Hz	200	0,35	
	H200	400 V 50 Hz	225	0,51	
		460 V 60 Hz	400	0,61	



Position transducer

Servomotors HDP-C and HDP-V Series, upon request of customer can be supplied with position transducers.

Basic transducers:

- Encoder TTL 5V Output A+A-, B+B-, Z+Z-; 1024 ppr
- Encoder HTL 10/30V Output A+A-, B+B-, Z+Z-; 1024 ppr
- Encoder 1 Vpp sinusoidal 512/2048 ppr and absolute encoder (Endat or Hiperface)

Thermal protection

Inside the motor normally are mounted three temperature sensors type KLIXON (N.C. contact).

Upon request it is possible to add other thermal sensor or replace the KLIXON with PTC thermal sensor.

- 3 Thermistors type klixon or 3 PTC in terminal box as standard
- Other solutions on request: - 3 thermistors alarm (140°) + 3 thermistors warning (120°)
- 1 extra thermistor PT100 or KTY to measure the winding/bearing temperature

Connections

Power connection in terminal box.

Signal connection with a connector according to the mounted transducer, 12/17/pins (to be ordered separately)

Signal connectors

400014148 loose signal connector 12 pins with Encoder HTL -TTL- 1Vpp

16091979 loose signal connector 17 pins with Absolute Encoder

Encoder cables

HDP1255L0 Encoder cable with motor connector 5 mt

HDP12510L Encoder cable with motor connector 10 mt

HDP12515L Encoder cable with motor connector 15 mt

HDP12520L Encoder cable with motor connector 20 mt

HDP12530L Encoder cable with motor connector 30 mt

Different lengths on request

Cable characteristics

- Multipolar cable with double shield for mobile application (Al/polyester and copper)
- 3 pairs AWG 26 and 3AWG 20 single
- PVC transparent external sheath (style UL 2095)
- Operating temperature: 80 °C
- Working voltage: 300
- Capacity: 120 pF/m between wires pairs 20 °C
- Number of cycles: minimum 3 millions
- Minimum bending radius: 65 mm
- Reference standard: UL 758
- Outside Ø: 7,5 ± 0,2 mm





Bearings

Bearing life depends on the radial force; average service is 20.000 operating hours. Standard insulating bearing over 100 kW is suggested. For motor type H200/250 the insulating bearing is provided by default.



All re-greasable bearings are normally provided with shaft oil seal.

	Ball Bearings		Non drive end	Roller Bearings	
	Drive End standard speed	Drive End Re-greasable High Speed		Drive End Re-greasable std speed	Drive End Re-greasable High Speed
CH-VH (H 100)	6308-2Z-C3*	6308-C3 / LGHP2	6206-2Z-C3*	NU308 / LGMT3	NU308 / LGHP2
CM-VM (H132)	6310-2Z-C3*	6310-C3 / LGHP2	6308-2Z-C3*	NU310 / LGMT3	NU310 / LGHP2
CN-VN (H160)	6312-2Z-C3*	6312-C3 / LGHP2	6309-2Z-C3*	NU312 / LGMT3	NU312 / LGHP2
CR-VR (H200)	6315-2Z-C3*	6315-C3 / LGHP2	6314-2Z-C3*	NU315 / LGMT3	NU315 / LGHP2
CT-VT (H250)	6322-C3 / LGHP2	6319-C3 / LGHP2	6319-C3 / LGHP2	NU322 / LGHP2	

* Lubricated for life

Max motor speed according bearings type and mounting								
Mounting	Horizontal B3-B5-B35				Vertical V1-V5-V15-V3-V6-V35			
	Standard		High Speed		Standard		High Speed	
DE bearing	Ball Lubricated for life	Roller re-greasable	Ball re-greasable	Roller re-greasable	Ball Lubricated for life	Roller re-greasable	Ball re-greasable	Roller re-greasable
NDE bearing	Ball Lubricated for life	Ball Lubricated for life	Ball Lubricated for life	Ball Lubricated for life	Ball Lubricated for life	Ball Lubricated for life	Ball Lubricated for life	Ball Lubricated for life
	[rpm]	[rpm]	[rpm]	[rpm]	[rpm]	[rpm]	[rpm]	[rpm]
H100	7500	6700	11000	8000	5300	6700	7500	7500
H132	6000	5000	8500	6700	4300	5000	5300	5300
H160	5300	4800	6700	5600	3600	4800	5300	5300
H200	4300	3800	5600 ⁽¹⁾	5300 ⁽¹⁾	2800	3200	5600 ⁽¹⁾	5300 ⁽¹⁾
H250	3800 ⁽¹⁾	3000 ⁽¹⁾	4800 ⁽¹⁾ 4200 ⁽²⁾		3000 ⁽¹⁾	3000 ⁽¹⁾	4500 ⁽¹⁾ 4200 ⁽²⁾	

⁽¹⁾ Size 200 and 250 with re-greasable bearing

⁽²⁾ Motor length 6 maximum speed cannot exceed 4200

Technical Data

HDP IP54 Series axial fan, H100



Rated voltage 400V/370V

CH [H100 IP54]

Duty			S1 400 V									S1 370 V								
Size	Length	Speed	Power P _N [kW]	Speed n _N [rpm]	Max speed at const P n _{max} [rpm]	Frequency f _N [Hz]	Torque T _N [Nm]	Current I _N [A]	Power factor cos φ	Eff. %	Power P _N [kW]	Speed n _N [rpm]	Max speed at const P n _{max} [rpm]	Frequency f _N [Hz]	Torque T _N [Nm]	Current I _N [A]	Torque T _{max} /T _N	Inertia J [kg.m ²]		
CH	1	.1	2,0	1000	2000	52,5	19,1	5,4	0,647	82,7	1,9	925	1850	48,6	19,1	5,4	2,28	0,0062		
		.2	3,0	1500	3000	77,4	19,1	7,9	0,629	86,8	2,8	1388	2775	71,6	19,1	7,9	2,44			
		.3	4,0	2000	4000	102,4	19,1	10,2	0,636	88,7	3,7	1850	3700	94,7	19,1	10,2	2,45			
		.5	5,0	3000	6000	152,2	15,9	12,7	0,626	91,0	4,6	2775	5550	140,8	15,9	12,7	2,77			
		.7	6,0	4000	8000	202,3	14,3	15,4	0,613	91,8	5,6	3700	7400	187,1	14,3	15,4	2,85			
	2	.1	2,7	1000	2000	52,4	25,8	7,1	0,649	84,1	2,5	925	1850	48,5	25,8	7,1	2,30	0,0075		
		.2	4,0	1500	3000	77,3	25,5	10,3	0,636	87,9	3,7	1388	2775	71,5	25,5	10,3	2,45			
		.3	5,3	2000	4000	102,3	25,3	13,4	0,634	89,6	4,9	1850	3700	94,6	25,3	13,4	2,51			
		.5	6,7	3000	6000	152,1	21,3	17,1	0,619	91,5	6,2	2775	5550	140,7	21,3	17,1	2,83			
	3	.7	8,2	4000	8000	202,1	19,6	21,2	0,605	92,2	7,6	3700	7400	186,9	19,6	21,2	2,94	0,0102		
		.1	3,7	1000	2000	52,3	35,4	9,5	0,659	85,0	3,4	925	1850	48,4	35,4	9,5	2,27			
		.2	5,4	1500	3000	77,2	34,4	13,7	0,641	88,6	5,0	1388	2775	71,4	34,4	13,7	2,46			
		.3	7,2	2000	4000	102,3	34,4	17,8	0,647	90,3	6,7	1850	3700	94,6	34,4	17,8	2,46			
	4	.5	9,4	3000	6000	152,0	29,9	23,4	0,630	92,0	8,7	2775	5550	140,6	29,9	23,4	2,75	0,0142		
		.7	11,3	4000	8000	202,2	27,0	27,8	0,632	92,7	10,5	3700	7400	187,0	27,0	27,8	2,77			
		.1	5,0	1000	2000	52,3	47,7	12,5	0,667	86,4	4,6	925	1850	48,4	47,7	12,5	2,30			
		.2	7,4	1500	3000	77,2	47,1	18,4	0,650	89,4	6,8	1388	2775	71,4	47,1	18,4	2,44			
	5	.3	9,7	2000	4000	102,2	46,3	23,5	0,654	91,0	9,0	1850	3700	94,5	46,3	23,5	2,46	0,0168		
		.5	12,6	3000	6000	151,9	40,1	31,2	0,631	92,4	11,7	2775	5550	140,5	40,1	31,2	2,80			
		.7	15,3	4000	8000	202,0	36,5	38,9	0,611	92,9	14,2	3700	7400	186,9	36,5	38,9	2,98			
		.1	6,0	1000	2000	52,2	57,3	15,0	0,665	86,6	5,6	925	1850	48,3	57,3	15,0	2,33			
6	.2	9,0	1500	3000	77,1	57,3	22,2	0,654	89,7	8,3	1388	2775	71,3	57,3	22,2	2,44	0,0198			
	.3	11,7	2000	4000	102,1	55,9	28,5	0,649	91,2	10,8	1850	3700	94,4	55,9	28,5	2,50				
	.5	15,0	3000	6000	151,9	47,7	36,5	0,640	92,6	13,9	2775	5550	140,5	47,7	36,5	2,81				
	.7	18,0	4000	8000	202,0	43,0	44,5	0,627	93,1	16,7	3700	7400	186,9	43,0	44,5	2,89				
7	.1	7,4	1000	2000	52,3	70,6	18,1	0,677	86,9	6,8	925	1850	48,4	70,6	18,1	2,24	0,0198			
	.2	11,0	1500	3000	77,1	70,1	26,9	0,657	89,9	10,2	1388	2775	71,3	70,1	26,9	2,41				
	.3	14,2	2000	4000	102,2	67,8	33,7	0,665	91,4	13,1	1850	3700	94,5	67,8	33,7	2,43				
	.5	18,0	3000	6000	151,9	57,3	43,8	0,639	92,7	16,7	2775	5550	140,5	57,3	43,8	2,82				
8	.7	20,5	4000	8000	202,0	48,9	49,8	0,637	93,3	19,0	3700	7400	186,9	48,9	49,8	2,87				

Rated Voltage 460V/430V

CH [H100 IP54]

Duty			S1 460 V									S1 430 V								
Size	Length	Speed	Power P _N [kW]	Speed n _N [rpm]	Max speed at const P n _{max} [rpm]	Frequency f _N [Hz]	Torque T _N [Nm]	Current I _N [A]	Power factor cos φ	Eff. %	Power P _N [kW]	Speed n _N [rpm]	Max speed at const P n _{max} [rpm]	Frequency f _N [Hz]	Torque T _N [Nm]	Current I _N [A]	Torque T _{max} /T _N	Inertia J [kg.m ²]		
CH	1	.1	2,0	1000	2000	52,5	19,1	4,7	0,648	82,7	1,9	935	1870	49,1	19,1	4,7	2,27	0,0062		
		.2	3,0	1500	3000	77,3	19,1	7,1	0,613	86,6	2,8	1402	2804	72,3	19,1	7,1	2,49			
		.3	4,0	2000	4000	102,5	19,1	8,8	0,640	89,0	3,7	1870	3739	95,8	19,1	8,8	2,43			
		.5	5,0	3000	6000	152,2	15,9	11,0	0,628	91,0	4,7	2804	5609	142,3	15,9	11,0	2,75			
		.7	6,0	4000	8000	202,3	14,3	13,4	0,611	91,8	5,6	3739	7478	189,1	14,3	13,4	2,87			
	2	.1	2,7	1000	2000	52,4	25,8	6,2	0,646	84,1	2,5	935	1870	49,0	25,8	6,2	2,32	0,0075		
		.2	4,0	1500	3000	77,3	25,5	9,1	0,630	87,8	3,7	1402	2804	72,3	25,5	9,1	2,47			
		.3	5,3	2000	4000	102,4	25,3	11,4	0,647	89,8	5,0	1870	3739	95,7	25,3	11,4	2,42			
		.5	6,7	3000	6000	152,1	21,3	14,7	0,624	91,6	6,3	2804	5609	142,2	21,3	14,7	2,80			
	3	.7	8,2	4000	8000	202,1	19,6	18,7	0,597	92,1	7,7	3739	7478	188,9	19,6	18,7	3,00	0,0102		
		.1	3,7	1000	2000	52,3	35,4	8,3	0,657	85,2	3,5	935	1870	48,9	35,4	8,3	2,29			
		.2	5,4	1500	3000	77,1	34,4	12,5	0,614	88,4	5,0	1402	2804	72,1	34,4	12,5	2,56			
		.3	7,2	2000	4000	102,2	34,4	15,6	0,641	90,3	6,7	1870	3739	95,5	34,4	15,6	2,50			
	4	.5	9,4	3000	6000	152,0	29,9	20,4	0,627	92,0	8,8	2804	5609	142,1	29,9	20,4	2,76	0,0142		
		.7	11,3	4000	8000	202,2	27,0	24,3	0,628	92,7	10,6	3739	7478	189,0	27,0	24,3	2,80			
		.1	5,0	1000	2000	52,2	47,8	11,0	0,659	86,2	4,7	935	1870	48,8	47,8	11,0	2,33			
		.2	7,4	1500	3000	77,2	47,1	16,1	0,647	89,3	6,9	1402	2804	72,2	47,1	16,1	2,46			
	5	.3	9,7	2000	4000	102,1	46,3	20,7	0,645	90,9	9,1	1870	3739	95,4	46,3	20,7	2,52	0,0168		
		.5	12,6	3000	6000	152,0	40,1	26,8	0,639	92,4	11,8	2804	5609	142,1	40,1	26,8	2,77			
		.7	15,3	4000	8000	202,0	36,5	34,1	0,607	92,9	14,3	3739	7478	188,8	36,5	34,1	3,01			
		.1	6,0	1000	2000	52,1	57,3	13,3	0,652	86,6	5,6	935	1870	48,7	57,3	13,3	2,39			
6	.2	9,0	1500	3000	77,1	57,3	19,3	0,653	89,7	8,4	1402	2804	72,1	57,3	19,3	2,44	0,0198			
	.3	11,7	2000	4000	102,1	55,9	25,0	0,643	91,2	10,9	1870	3739	95,4	55,9	25,0	2,53				
	.5	15,0	3000	6000	151,9	47,8	31,1	0,653	92,7	14,0	2804	5609	142,0	47,8	31,1	2,75				
	.7	18,0	4000	8000	202,0	43,0	38,0	0,637	93,2	16,8	3739	7478	188,8	43,0	38,0	2,82				
7	.1	7,4	1000	2000	52,2	70,7	15,9	0,671	87,1	6,9	935	1870	48,8	70,7	15,9	2,29	0,0198			
	.2	11,0	1500	3000	77,1	70,0	23,8	0,644	89,9	10,3	1402	2804	72,1	70,0	23,8	2,48				
	.3	14,2	2000	4000	102,2	67,8	29,1	0,668	91,4	13,3	1870	3739	95,5	67,8	29,1	2,41				
	.5	18,0	3000	6000	151,9	57,3	37,3	0,652	92,8	16,8	2804	5609	142,0	57,3	37,3	2,77				
8	.7	20,5	4000	8000	202,0	48,9	43,1	0,639	93,3	19,2	3739	7478	188,8	48,9	43,1	2,85				

Technical Data

HDP IP54 Series axial fan, H132



Rated Voltage 400V/370V

CM [H132 IP54]

Duty			S1 400 V									S1 370 V								
Size	Length	Speed	Power P _N [kW]	Speed n _N [rpm]	Max speed at const P n _{max} [rpm]	Frequency f _N [Hz]	Torque T _N [Nm]	Current I _N [A]	Power factor cos φ	Eff. %	Power P _N [kW]	Speed n _N [rpm]	Max speed at const P n _{max} [rpm]	Frequency f _N [Hz]	Torque T _N [Nm]	Current I _N [A]	Torque T _{max} /T _N	Inertia J [kg.m ²]		
CM	1	.1	7,8	1000	2500	35,2	74,3	17,4	0,777	83,1	7,2	925	2313	32,6	74,3	17,4	2,86	0,061		
		.2	11,0	1500	3750	51,6	70,0	25,7	0,708	87,0	10,2	1388	3469	47,7	70,0	25,7	3,68			
		.3	14,2	1990	5000	68,2	68,0	29,0	0,785	89,8	13,1	1841	4625	63,1	68,0	29,0	3,61			
		.5	18,3	3000	7500	101,7	58,2	36,1	0,795	92,0	16,9	2775	6938	94,1	58,2	36,1	3,60			
		.7	21,0	4000	8000	135,6	50,1	37,2	0,877	92,8	19,4	3700	7400	125,4	50,1	37,2	3,20			
	2	.1	10,4	1000	2500	35,0	99,4	22,0	0,802	84,8	9,6	925	2313	32,4	99,4	22,0	3,02	0,080		
		.2	14,8	1500	3750	51,5	94,3	32,1	0,751	88,5	13,7	1388	3469	47,6	94,3	32,1	3,60			
		.3	19,3	2000	5000	68,3	92,2	37,4	0,820	90,8	17,9	1850	4625	63,2	92,2	37,4	3,68			
		.5	24,6	3000	7500	101,5	78,3	48,2	0,795	92,6	22,8	2775	6938	93,9	78,3	48,2	3,70			
		.7	30,0	4000	8000	135,9	71,6	51,8	0,898	93,0	27,8	3700	7400	125,7	71,6	51,8	2,85			
	3	.1	12,5	1000	2500	34,9	119,4	26,3	0,798	85,8	11,6	925	2313	32,3	119,4	26,3	3,20	0,094		
		.2	18,0	1500	3750	51,5	114,7	37,1	0,783	89,3	16,7	1388	3469	47,6	114,7	37,1	3,70			
		.3	23,5	2000	5000	68,2	112,3	46,1	0,805	91,2	21,7	1850	4625	63,1	112,3	46,1	3,80			
		.5	29,6	3000	7500	101,6	94,2	55,7	0,825	93,0	27,4	2775	6938	94,0	94,2	55,7	3,80			
		.7	34,5	4000	8000	135,5	82,4	59,6	0,893	93,5	31,9	3700	7400	125,3	82,4	59,6	3,26			
	4	.1	16,2	1000	2500	34,8	154,7	33,2	0,808	87,1	15,0	925	2313	32,2	154,7	33,2	3,43	0,122		
		.2	23,5	1500	3750	51,5	149,6	46,3	0,812	90,2	21,7	1388	3469	47,6	149,6	46,3	3,70			
		.3	30,6	2000	5000	68,2	146,1	57,4	0,838	91,8	28,3	1850	4625	63,1	146,1	57,4	3,80			
		.5	38,2	3000	7500	101,5	121,6	70,3	0,840	93,4	35,3	2775	6938	93,9	121,6	70,3	3,80			
		.7	43,2	4000	8000	135,3	103,1	74,5	0,892	93,9	40,0	3700	7400	125,2	103,1	74,5	3,57			
	5	.1	21,0	1000	2500	34,8	200,5	42,6	0,810	87,6	19,4	925	2313	32,2	200,5	42,6	3,51	0,150		
.2		30,2	1500	3750	51,4	192,3	60,8	0,791	90,5	27,9	1388	3469	47,5	192,3	60,8	3,70				
.3		40,0	2000	5000	68,2	190,9	75,6	0,829	92,1	37,0	1850	4625	63,1	190,9	75,6	3,60				
.5		49,3	3000	7500	101,4	157,0	91,4	0,831	93,6	45,6	2775	6938	93,8	157,0	91,4	3,60				
.7		54,4	4000	8000	135,5	129,8	92,5	0,904	93,9	50,3	3700	7400	125,3	129,8	92,5	3,29				

Rated Voltage 460V/430V

CM [H132 IP54]

Duty			S1 460 V									S1 430 V								
Size	Length	Speed	Power P _N [kW]	Speed n _N [rpm]	Max speed at const P n _{max} [rpm]	Frequency f _N [Hz]	Torque T _N [Nm]	Current I _N [A]	Power factor cos φ	Eff. %	Power P _N [kW]	Speed n _N [rpm]	Max speed at const P n _{max} [rpm]	Frequency f _N [Hz]	Torque T _N [Nm]	Current I _N [A]	Torque T _{max} /T _N	Inertia J [kg.m ²]		
CM	1	.1	7,8	1000	2500	35,1	74,5	15,2	0,776	82,9	7,3	935	2337	32,8	74,5	15,2	2,85	0,061		
		.2	11,0	1500	3750	51,6	70,0	22,5	0,705	87,1	10,3	1402	3505	48,2	70,0	22,5	3,71			
		.3	14,2	2000	5000	68,4	67,8	25,6	0,775	89,7	13,3	1870	4674	63,9	67,8	25,6	3,67			
		.5	18,3	3000	7500	101,6	58,3	32,2	0,775	91,9	17,1	2804	7011	95,0	58,3	32,2	3,80			
		.7	21,0	4000	8000	135,5	50,1	32,5	0,873	92,9	19,6	3739	7478	126,7	50,1	32,5	3,30			
	2	.1	10,4	1000	2500	34,9	99,4	19,7	0,778	85,0	9,7	935	2337	32,6	99,4	19,7	3,16	0,080		
		.2	14,8	1500	3750	51,5	94,2	28,2	0,742	88,6	13,8	1402	3505	48,1	94,2	28,2	3,66			
		.3	19,3	2000	5000	68,4	92,2	31,8	0,840	90,7	18,0	1870	4674	63,9	92,2	31,8	3,52			
		.5	24,6	3000	7500	101,6	78,3	41,2	0,809	92,6	23,0	2804	7011	95,0	78,3	41,2	3,70			
		.7	30,0	4000	8000	136,0	71,6	45,0	0,901	92,9	28,0	3739	7478	127,1	71,6	45,0	2,77			
	3	.1	12,5	1000	2500	34,9	119,5	22,8	0,803	85,7	11,7	935	2337	32,6	119,5	22,8	3,17	0,094		
		.2	18,0	1500	3750	51,6	114,6	31,5	0,802	89,3	16,8	1402	3505	48,2	114,6	31,5	3,57			
		.3	23,5	2000	5000	68,2	112,2	40,5	0,799	91,2	22,0	1870	4674	63,8	112,2	40,5	3,67			
		.5	29,6	3000	7500	101,6	94,2	48,2	0,828	93,0	27,7	2804	7011	95,0	94,2	48,2	3,72			
		.7	34,5	4000	8000	135,6	82,4	51,7	0,897	93,4	32,3	3739	7478	126,8	82,4	51,7	3,11			
	4	.1	16,2	1000	2500	34,8	154,7	28,9	0,808	87,1	15,1	935	2337	32,5	154,7	28,9	3,43	0,122		
		.2	23,5	1500	3750	51,5	149,5	40,6	0,805	90,2	22,0	1402	3505	48,1	149,5	40,6	3,64			
		.3	30,6	2000	5000	68,2	146,2	49,8	0,841	91,8	28,6	1870	4674	63,8	146,2	49,8	3,61			
		.5	38,2	3000	7500	101,5	121,6	61,4	0,836	93,4	35,7	2804	7011	94,9	121,6	61,4	3,71			
		.7	43,2	4000	8000	135,3	103,1	64,7	0,892	93,9	40,4	3739	7478	126,5	103,1	64,7	3,54			
	5	.1	21,0	1000	2500	34,7	200,7	38,4	0,783	87,5	19,6	935	2337	32,4	200,7	38,4	3,65	0,150		
.2		30,2	1500	3750	51,5	192,2	50,8	0,823	90,6	28,2	1402	3505	48,1	192,2	50,8	3,71				
.3		40,0	2000	5000	68,1	191,0	66,9	0,815	92,1	37,4	1870	4674	63,7	191,0	66,9	3,79				
.5		49,3	3000	7500	101,5	157,0	77,9	0,849	93,6	46,1	2804	7011	94,9	157,0	77,9	3,81				
.7		54,4	4000	8000	135,2	129,9	81,2	0,893	94,1	50,9	3739	7478	126,4	129,9	81,2	3,67				

For further details and for motor curves, see motor manual HDP MANUM05.yymm.E

Technical Data

HDP IP54 Series axial fan, H160



Rated voltage 400V/370V

CN [H160 IP54]

Duty			S1 400 V								S1 370 V								Inertia J [kg.m ²]
Size	Length	Speed	Power P _N [kW]	Speed n _N [rpm]	Max speed at const P n _{max} [rpm]	Frequency f _N [Hz]	Torque T _N [Nm]	Current I _N [A]	Power factor cos φ	Eff. %	Power P _N [kW]	Speed n _N [rpm]	Max speed at const P n _{max} [rpm]	Frequency f _N [Hz]	Torque T _N [Nm]	Current I _N [A]	Torque T _{max} /T _N		
CN	1	.0	11,0	500	1250	17,6	210	25,3	0,766	82,0	10,2	463	1156	16,3	210	25,3	2,92	0,24	
		.1	21,4	1000	2500	34,2	205	43,5	0,792	89,6	19,8	925	2313	31,6	205	43,5	3,26		
		.2	30,0	1500	3750	50,9	191	57,8	0,811	92,2	27,8	1388	3469	47,1	191	57,8	3,50		
		.3	36,0	2000	5000	67,5	172	68,2	0,816	93,4	33,3	1850	4625	62,4	172	68,2	3,62		
		.5	46,0	3000	7500	100,8	147	83,2	0,844	94,5	42,6	2775	6938	93,2	147	83,2	3,76		
	2	.0	13,5	500	1250	17,5	258	29,7	0,786	83,3	12,5	463	1156	16,2	258	29,7	3,00	0,28	
		.1	26,4	1000	2500	34,2	252	52,6	0,801	90,3	24,4	925	2313	31,6	252	52,6	3,39		
		.2	37,0	1500	3750	50,8	236	70,7	0,815	92,6	34,2	1388	3469	47,0	236	70,7	3,50		
		.3	45,1	2000	5000	67,5	215	84,7	0,820	93,7	41,7	1850	4625	62,4	215	84,7	3,72		
		.5	56,0	3000	7500	100,9	178	97,2	0,877	94,7	51,8	2775	6938	93,3	178	97,2	3,65		
	3	.0	16,3	500	1250	17,5	311	34,4	0,807	84,6	15,1	463	1156	16,2	311	34,4	3,10	0,34	
		.1	31,7	1000	2500	34,2	302	60,6	0,830	90,8	29,3	925	2313	31,6	302	60,6	3,38		
		.2	45,0	1500	3750	50,8	286	85,1	0,821	93,0	41,6	1388	3469	47,0	286	85,1	3,43		
		.3	54,4	2000	5000	67,4	260	100,5	0,831	94,0	50,3	1850	4625	62,3	260	100,5	3,82		
		.5	69,0	3000	7500	100,9	220	118,4	0,886	94,9	63,8	2775	6938	93,3	220	118,4	3,65		
	4	.0	19,2	500	1250	17,5	367	39,2	0,826	85,4	17,8	463	1156	16,2	367	39,2	3,13	0,40	
		.1	37,3	1000	2500	34,2	356	70,2	0,840	91,2	34,5	925	2313	31,6	356	70,2	3,33		
		.2	52,7	1500	3750	50,8	335	99,2	0,822	93,2	48,7	1388	3469	47,0	335	99,2	3,45		
		.3	64,6	2000	5000	67,4	309	119,3	0,830	94,1	59,8	1850	4625	62,3	309	119,3	3,73		
		.5	80,0	3000	7500	100,8	255	137,3	0,885	95,0	74,0	2775	6938	93,2	255	137,3	3,62		
5	.0	22,0	500	1250	17,4	420	47,3	0,782	85,6	20,4	463	1156	16,1	420	47,3	3,13	0,46		
	.1	42,0	1000	2500	34,1	401	78,8	0,840	91,5	38,9	925	2313	31,5	401	78,8	3,29			
	.2	59,0	1500	3750	50,8	375	107,8	0,845	93,4	54,6	1388	3469	47,0	375	107,8	3,35			
	.3	72,0	2000	5000	67,4	344	134,7	0,819	94,2	66,6	1850	4625	62,3	344	134,7	3,88			
	.5	92,0	3000	7500	100,8	293	156,6	0,891	95,1	85,1	2775	6938	93,2	293	156,6	3,58			

Rated Voltage 460V/430V

CN [H160 IP54]

Duty			S1 460 V								S1 430 V								Inertia J [kg.m ²]
Size	Length	Speed	Power P _N [kW]	Speed n _N [rpm]	Max speed at const P n _{max} [rpm]	Frequency f _N [Hz]	Torque T _N [Nm]	Current I _N [A]	Power factor cos φ	Eff. %	Power P _N [kW]	Speed n _N [rpm]	Max speed at const P n _{max} [rpm]	Frequency f _N [Hz]	Torque T _N [Nm]	Current I _N [A]	Torque T _{max} /T _N		
CN	1	.0	11,0	500	1250	17,6	210	21,5	0,779	82,3	10,3	467	1168	16,5	210	21,5	2,90	0,24	
		.1	21,4	1000	2500	34,2	205	37,8	0,792	89,6	20,0	935	2337	32,0	205	37,8	3,36		
		.2	30,0	1500	3750	50,9	191	50,6	0,807	92,2	28,0	1402	3505	47,6	191	50,6	3,40		
		.3	36,0	2000	5000	67,5	172	57,5	0,841	93,5	33,7	1870	4674	63,1	172	57,5	3,50		
		.5	46,0	3000	7500	100,9	146	70,6	0,865	94,5	43,0	2804	7011	94,3	146	70,6	3,66		
	2	.0	13,5	500	1250	17,6	257	25,1	0,806	83,5	12,6	467	1168	16,5	257	25,1	2,93	0,28	
		.1	26,4	1000	2500	34,2	252	45,7	0,803	90,3	24,7	935	2337	32,0	252	45,7	3,37		
		.2	37,0	1500	3750	50,9	235	59,8	0,838	92,7	34,6	1402	3505	47,6	235	59,8	3,54		
		.3	45,1	2000	5000	67,5	215	72,4	0,833	93,8	42,2	1870	4674	63,1	215	72,4	3,61		
		.5	56,0	3000	7500	100,9	178	84,3	0,879	94,8	52,3	2804	7011	94,3	178	84,3	3,63		
	3	.0	16,3	500	1250	17,5	311	29,8	0,812	84,5	15,2	467	1168	16,4	311	29,8	3,07	0,34	
		.1	31,7	1000	2500	34,2	302	53,0	0,826	90,8	29,6	935	2337	32,0	302	53,0	3,32		
		.2	45,0	1500	3750	50,8	286	73,3	0,828	93,0	42,1	1402	3505	47,5	286	73,3	3,47		
		.3	54,4	2000	5000	67,4	260	87,1	0,834	94,0	50,9	1870	4674	63,0	260	87,1	3,79		
		.5	69,0	3000	7500	100,9	220	103,0	0,886	94,9	64,5	2804	7011	94,3	220	103,0	3,65		
	4	.0	19,2	500	1250	17,5	367	33,9	0,832	85,3	17,9	467	1168	16,4	367	33,9	3,09	0,40	
		.1	37,3	1000	2500	34,2	356	60,1	0,853	91,2	34,9	935	2337	32,0	356	60,1	3,33		
		.2	52,7	1500	3750	50,7	336	87,2	0,814	93,1	49,3	1402	3505	47,4	336	87,2	3,71		
		.3	64,6	2000	5000	67,5	308	100,8	0,854	94,2	60,4	1870	4674	63,1	308	100,8	3,79		
		.5	80,0	3000	7500	100,8	255	118,3	0,893	95,0	74,8	2804	7011	94,2	255	118,3	3,71		
5	.0	22,0	500	1250	17,4	421	40,5	0,793	85,8	20,6	467	1168	16,3	421	40,5	3,10	0,46		
	.1	42,0	1000	2500	34,1	401	69,0	0,834	91,6	39,3	935	2337	31,9	401	69,0	3,46			
	.2	59,0	1500	3750	50,8	375	92,8	0,853	93,5	55,2	1402	3505	47,5	375	92,8	3,68			
	.3	72,0	2000	5000	67,4	344	116,2	0,825	94,2	67,3	1870	4674	63,0	344	116,2	3,81			
	.5	92,0	3000	7500	100,8	293	137,0	0,886	95,1	86,0	2804	7011	94,2	293	137,0	3,62			

For further details and for motor curves, see motor manual HDP MANUM05.yymm.E

Technical Data

HDP IP54 Series axial fan, H200



Rated voltage 400V/370V

CR [H200 IP54]

Duty			S1 400 V									S1 370 V								
Size	Length	Speed	Power P _N [kW]	Speed n _N [rpm]	Max speed at const P n _{max} [rpm]	Frequency f _N [Hz]	Torque T _N [Nm]	Current I _N [A]	Power factor cos φ	Eff. %	Power P _N [kW]	Speed n _N [rpm]	Max speed at const P n _{max} [rpm]	Frequency f _N [Hz]	Torque T _N [Nm]	Current I _N [A]	Torque T _{max} /T _N	Inertia J [kg.m ²]		
CR	1	.0	20,0	500	1250	17,3	381	44	0,765	86,5	18,5	463	1156	16,0	381	44	3,21	0,68		
		.1	37,5	1000	2500	33,9	358	79	0,745	91,9	34,7	925	2313	31,4	358	79	3,31			
		.2	53,0	1500	3750	50,6	337	104	0,787	93,8	49,0	1388	3469	46,8	337	104	3,53			
		.3	65,5	2000	5000	67,2	313	123	0,813	94,7	60,6	1850	4625	62,2	313	123	3,71			
		.4	74,0	2500	6250	83,9	283	134	0,839	95,2	68,5	2313	5781	77,6	283	134	3,85			
	2	.0	25,0	500	1250	17,3	477	52	0,796	86,9	23,1	463	1156	16,0	477	52	3,08	0,78		
		.1	45,5	1000	2500	33,9	434	95	0,750	92,2	42,1	925	2313	31,4	434	95	3,35			
		.2	62,5	1500	3750	50,5	398	123	0,778	94,0	57,8	1388	3469	46,7	398	123	3,62			
		.3	75,0	2000	5000	67,2	358	143	0,799	94,8	69,4	1850	4625	62,2	358	143	3,85			
		.4	85,5	2500	6250	83,9	326	153	0,846	95,3	79,1	2313	5781	77,6	326	153	3,77			
	3	.0	28,0	500	1250	17,2	536	57	0,807	88,0	25,9	463	1156	15,9	536	57	3,27	0,91		
		.1	52,0	1000	2500	33,9	496	104	0,781	92,8	48,1	925	2313	31,4	496	104	3,33			
		.2	72,5	1500	3750	50,5	462	140	0,790	94,3	67,1	1388	3469	46,7	462	140	3,66			
		.3	88,5	2000	5000	67,2	422	163	0,824	95,1	81,9	1850	4625	62,2	422	163	3,82			
		.4	103,0	2500	6250	83,9	393	183	0,850	95,5	95,3	2313	5781	77,6	393	183	3,84			
	4	.0	33,0	500	1250	17,2	631	64	0,835	88,9	30,5	463	1156	15,9	631	64	3,35	1,09		
		.1	60,0	1000	2500	33,9	572	111	0,840	93,3	55,5	925	2313	31,4	572	111	3,52			
		.2	85,0	1500	3750	50,5	541	153	0,849	94,7	78,6	1388	3469	46,7	541	153	3,65			
		.3	103,0	2000	5000	67,2	491	185	0,844	95,3	95,3	1850	4625	62,2	491	185	3,84			
		.4	117,5	2500	6250	83,9	449	201	0,882	95,7	108,7	2313	5781	77,6	449	201	3,71			
5	.0	40,5	500	1250	17,2	775	76	0,861	89,6	37,5	463	1156	15,9	775	76	3,36	1,34			
	.1	70,0	1000	2500	33,8	669	129	0,838	93,8	64,8	925	2313	31,3	669	129	3,51				
	.2	94,5	1500	3750	50,4	602	170	0,847	95,0	87,4	1388	3469	46,6	602	170	3,81				
	.3	111,5	2000	5000	67,1	533	190	0,887	95,5	103,1	1850	4625	62,1	533	190	3,73				
	.4	134,0	2500	6250	83,9	512	223	0,904	95,8	124,0	2313	5781	77,6	512	223	3,69				

Rated voltage 460V/430V

CR [H200 IP54]

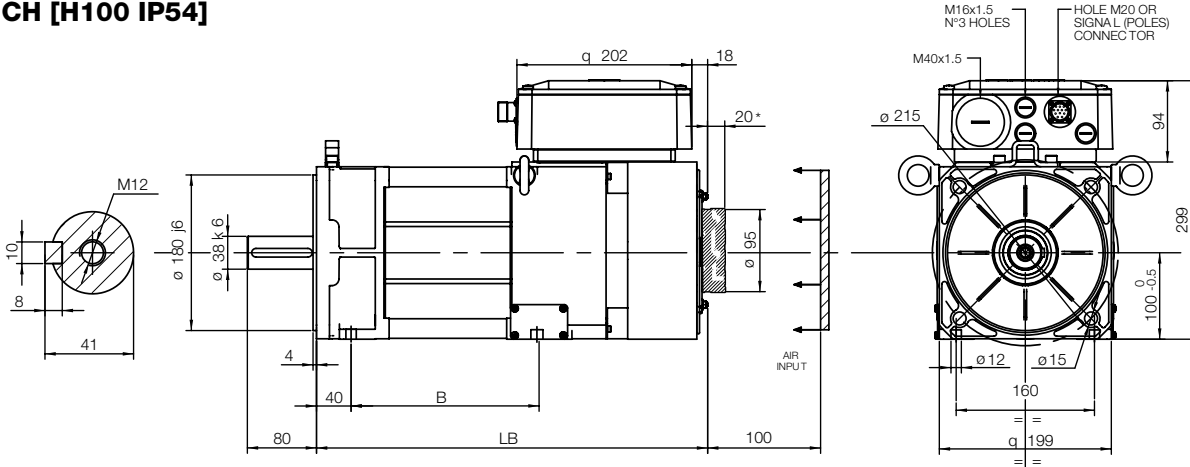
Duty			S1 460 V									S1 430 V								
Size	Length	Speed	Power P _N [kW]	Speed n _N [rpm]	Max speed at const P n _{max} [rpm]	Frequency f _N [Hz]	Torque T _N [Nm]	Current I _N [A]	Power factor cos φ	Eff. %	Power P _N [kW]	Speed n _N [rpm]	Max speed at const P n _{max} [rpm]	Frequency f _N [Hz]	Torque T _N [Nm]	Current I _N [A]	Torque T _{max} /T _N	Inertia J [kg.m ²]		
CR	1	.0	20,0	500	1250	17,3	381	38	0,763	86,4	18,7	467	1168	16,2	381	38	3,21	0,68		
		.1	37,5	1000	2500	33,9	358	70	0,736	91,8	35,1	935	2337	31,7	358	70	3,38			
		.2	53,0	1500	3750	50,6	337	92	0,769	93,7	49,5	1402	3505	47,3	337	92	3,56			
		.3	65,5	2000	5000	67,2	313	107	0,811	94,7	61,2	1870	4674	62,8	313	107	3,63			
		.4	74,0	2500	6250	83,9	283	119	0,824	95,2	69,2	2337	5842	78,4	283	119	3,72			
	2	.0	25,0	500	1250	17,3	477	45	0,794	87,1	23,4	467	1168	16,2	477	45	3,11	0,78		
		.1	45,5	1000	2500	33,9	434	84	0,741	92,2	42,5	935	2337	31,7	434	84	3,33			
		.2	62,5	1500	3750	50,5	398	106	0,787	94,1	58,4	1402	3505	47,2	398	106	3,40			
		.3	75,0	2000	5000	67,2	358	121	0,822	94,9	70,1	1870	4674	62,8	358	121	3,59			
		.4	85,5	2500	6250	83,9	326	133	0,846	95,4	79,9	2337	5842	78,4	326	133	3,68			
	3	.0	28,0	500	1250	17,3	534	48	0,832	88,3	26,2	467	1168	16,2	534	48	3,19	0,91		
		.1	52,0	1000	2500	33,9	496	91	0,774	92,8	48,6	935	2337	31,7	496	91	3,33			
		.2	72,5	1500	3750	50,5	462	123	0,786	94,3	67,8	1402	3505	47,2	462	123	3,62			
		.3	88,5	2000	5000	67,2	422	142	0,824	95,1	82,7	1870	4674	62,8	422	142	3,73			
		.4	103,0	2500	6250	83,8	394	164	0,826	95,4	96,3	2337	5842	78,3	394	164	3,83			
	4	.0	33,0	500	1250	17,2	631	56	0,828	89,0	30,8	467	1168	16,1	631	56	3,41	1,09		
		.1	60,0	1000	2500	33,9	572	97	0,833	93,3	56,1	935	2337	31,7	572	97	3,43			
		.2	85,0	1500	3750	50,5	542	131	0,861	94,7	79,5	1402	3505	47,2	542	131	3,45			
		.3	103,0	2000	5000	67,2	492	157	0,862	95,3	96,3	1870	4674	62,8	492	157	3,65			
		.4	117,5	2500	6250	83,9	449	176	0,875	95,7	109,8	2337	5842	78,4	449	176	3,76			
5	.0	40,5	500	1250	17,2	774	67	0,851	89,8	37,9	467	1168	16,1	774	67	3,47	1,34			
	.1	70,0	1000	2500	33,8	669	113	0,828	93,8	65,4	935	2337	31,6	669	113	3,62				
	.2	94,5	1500	3750	50,5	602	142	0,880	95,0	88,3	1402	3505	47,2	602	142	3,60				
	.3	111,5	2000	5000	67,2	532	162	0,905	95,6	104,2	1870	4674	62,8	532	162	3,54				
	.4	134,0	2500	6250	83,9	512	194	0,904	95,8	125,3	2337	5842	78,4	512	194	3,57				

Dimensions and weight

HDP IP54 Series axial fan, H100 - H132



CH [H100 IP54]

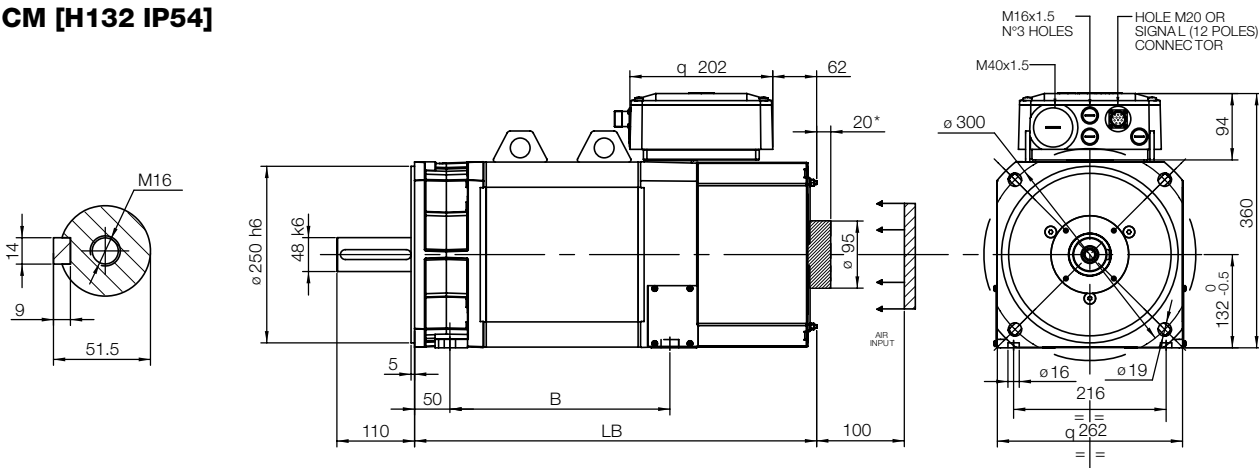


*only for IP 55 fan ventilation

Size	With / Without brake		With brake		Without brake	
	from	to	LB**	Weight	LB	Weight
CH1	154	156	461	35	398	30
CH2	180	182	486	41	423	36
CH3	214	216	521	49	458	44
CH4	264	266	571	61	508	56
CH5	304	306	611	70	548	65
CH6	349	351	656	81	593	76

** value valid for standard brake only. For value related to improved brake please apply to technical dept.

CM [H132 IP54]



*only for IP 55 fan ventilation

Size	With / Without brake		With brake		Without brake	
	from	to	LB**	Weight	LB	Weight
CM1	227	236	600	101	490	91
CM2	272	281	645	119	535	109
CM3	307	316	680	133	570	123
CM4	377	386	750	161	640	151
CM5	447	456	820	189	710	179

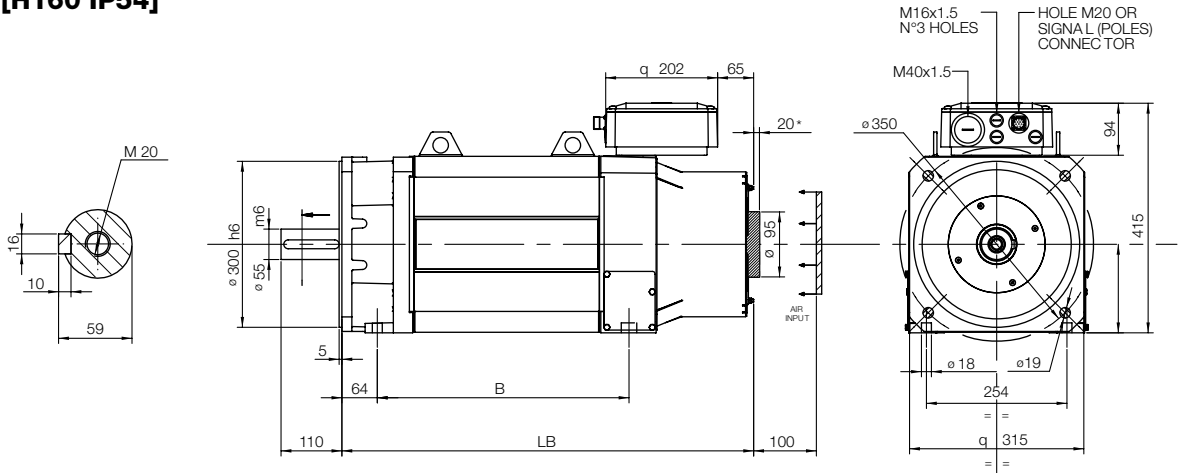
** value valid for standard brake only. For value related to improved brake please apply to technical dept.

Dimensions and weight

HDP IP54 Series axial fan, H160 - H200



CN [H160 IP54]

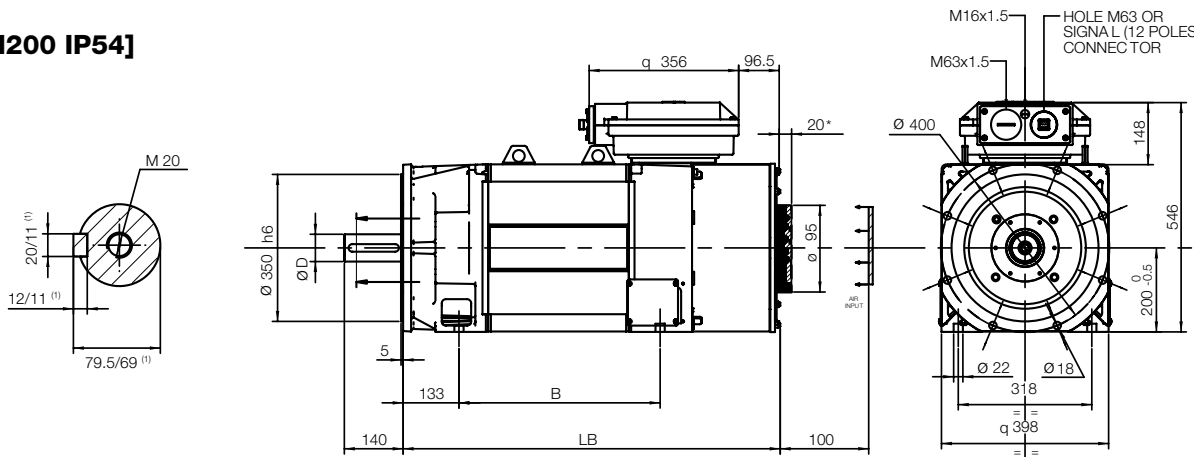


*only for IP 55 fan ventilation

Size	With / Without brake		With brake		Without brake	
	from	to	LB**	Weight	LB	Weight
CN1	340	350	755	203	625	183
CN2	390	400	805	232	675	212
CN3	450	460	865	267	735	247
CN4	510	520	925	302	795	282
CN5	570	580	985	337	855	317

** value valid for standard brake only. For value related to improved brake please apply to technical dept.

CR [H200 IP54]



*only for IP 55 fan ventilation

Size	With / Without brake		With brake		Without brake		Shaft dimension	
	from	to	LB**	Weight	LB	Weight	D Digit code position 12=0	D Digit code position 12=1
CR1	389	400	958	399	808	359	65	75
CR2	429	440	998	436	848	396		
CR3	479	490	1048	483	898	443		
CR4	549	560	1118	549	968	509		
CR5	649	660	1218	643	1068	603		

** value valid for standard brake only. For value related to improved brake please apply to technical dept.

⁽¹⁾ Value with digit code position 12=0

Technical Data

HDP IP23 Series radial fan, H132



Rated voltage 400V/370V

VM [H132 IP23]

Duty			S1 400 V							S1 370 V							Inertia J [kg.m ²]			
Size	Length	Speed	Power P _N [kW]	Speed n _N [rpm]	Max speed at const P n _{max} [rpm]	Frequency f _N [Hz]	Torque T _N [Nm]	Current I _N [A]	Power factor cos φ	Eff. %	Power P _N [kW]	Speed n _N [rpm]	Max speed at const P n _{max} [rpm]	Frequency f _N [Hz]	Torque T _N [Nm]	Current I _N [A]		Torque T _{max} /T _N		
VM	1	.1	14,2	1000	1500	36,6	135,5	32,1	0,829	76,9	13,1	925	1388	33,9	135,5	32,1	1,80	0,061		
		.2	21,0	1500	2500	53,3	133,7	43,4	0,841	83,0	19,4	1388	2313	49,3	133,7	43,4	1,97			
		.3	27,0	2000	3400	69,8	129,0	53,5	0,840	86,5	25,0	1850	3145	64,6	129,0	53,5	2,13			
		.5	37,0	3000	5100	103,1	117,7	70,0	0,845	90,2	34,2	2775	4718	95,4	117,7	70,0	2,38			
		.7	44,3	4000	6800	136,7	105,7	79,2	0,880	91,7	41,0	3700	6290	126,4	105,7	79,2	2,27			
		2	.1	18,0	1000	1500	36,1	172,0	38,7	0,838	80,1	16,7	925	1388	33,4	172,0	38,7		2,01	0,080
			.2	27,0	1500	2500	52,9	171,8	53,9	0,848	85,2	25,0	1388	2313	48,9	171,8	53,9		2,18	
	.3		35,2	2000	3400	69,5	168,1	67,5	0,853	88,1	32,6	1850	3145	64,3	168,1	67,5	2,30			
	.5		48,2	3000	5100	102,7	153,5	89,6	0,850	91,3	44,6	2775	4718	95,0	153,5	89,6	2,63			
	.7		59,1	4000	6800	136,4	141,1	103,8	0,888	92,5	54,7	3700	6290	126,2	141,1	103,8	2,41			
	3		.1	22,0	1000	1500	36,2	209,8	45,7	0,858	80,8	20,4	925	1388	33,5	209,8	45,7	1,99	0,094	
			.2	33,0	1500	2500	52,8	209,9	65,3	0,848	86,0	30,5	1388	2313	48,8	209,9	65,3	2,26		
		.3	43,0	2000	3400	69,5	205,4	80,8	0,867	88,6	39,8	1850	3145	64,3	205,4	80,8	2,29			
		.5	58,4	3000	5100	102,6	185,9	107,4	0,855	91,7	54,0	2775	4718	94,9	185,9	107,4	2,69			
		.7	69,0	4000	6800	136,5	164,7	119,5	0,899	92,7	63,8	3700	6290	126,3	164,7	119,5	2,36			
		4	.1	28,4	1000	1500	35,9	271,0	57,4	0,861	82,8	26,3	925	1388	33,2	271,0	57,4	2,17		0,122
			.2	43,0	1500	2500	52,5	274,0	84,1	0,845	87,3	39,8	1388	2313	48,6	274,0	84,1	2,46		
	.3		57,0	2000	3400	69,2	272,0	107,7	0,851	89,7	52,7	1850	3145	64,0	272,0	107,7	2,56			
	.5		74,2	3000	5100	102,3	236,1	137,0	0,845	92,5	68,6	2775	4718	94,6	236,1	137,0	3,03			
	.7		93,0	4000	6800	135,9	222,1	161,7	0,888	93,5	86,0	3700	6290	125,7	222,1	161,7	2,76			
	5		.1	36,0	1000	1500	35,9	343,0	71,5	0,869	83,5	33,3	925	1388	33,2	343,0	71,5	2,19	0,150	
			.2	53,0	1500	2500	52,4	338,0	101,7	0,855	87,9	49,0	1388	2313	48,5	338,0	101,7	2,52		
		.3	70,0	2000	3400	69,1	334,0	129,3	0,866	90,2	64,8	1850	3145	63,9	334,0	129,3	2,58			
		.5	91,0	3000	5100	102,3	290,0	163,3	0,867	92,8	84,2	2775	4718	94,6	290,0	163,3	2,98			
		.7	111,5	4000	6800	135,7	266,0	193,9	0,884	93,8	103,1	3700	6290	125,5	266,0	193,9	3,00			

Rated voltage 460V/430V

VM [H132 IP23]

Duty			S1 460 V							S1 430 V							Inertia J [kg.m ²]			
Size	Length	Speed	Power P _N [kW]	Speed n _N [rpm]	Max speed at const P n _{max} [rpm]	Frequency f _N [Hz]	Torque T _N [Nm]	Current I _N [A]	Power factor cos φ	Eff. %	Power P _N [kW]	Speed n _N [rpm]	Max speed at const P n _{max} [rpm]	Frequency f _N [Hz]	Torque T _N [Nm]	Current I _N [A]		Torque T _{max} /T _N		
VM	1	.1	14,2	1000	1500	36,5	135,6	28,3	0,820	76,7	13,3	935	1402	34,1	135,6	28,3	1,82	0,061		
		.2	21,0	1500	2500	53,3	133,8	37,7	0,843	82,8	19,6	1402	2337	49,8	133,8	37,7	1,95			
		.3	27,0	2000	3400	69,8	128,9	46,8	0,835	86,7	25,2	1870	3178	65,2	128,9	46,8	2,16			
		.5	37,0	3000	5100	103,1	117,8	60,5	0,850	90,2	34,6	2804	4767	96,4	117,8	60,5	2,35			
		.7	44,3	4000	6800	136,6	105,8	69,0	0,878	91,8	41,4	3739	6357	127,7	105,8	69,0	2,30			
		2	.1	18,0	1000	1500	36,1	171,7	33,8	0,832	80,3	16,8	935	1402	33,7	171,7	33,8		2,05	0,080
			.2	27,0	1500	2500	52,9	171,8	46,9	0,848	85,1	25,2	1402	2337	49,5	171,8	46,9		2,18	
	.3		35,2	2000	3400	69,5	168,1	58,8	0,852	88,1	32,9	1870	3178	65,0	168,1	58,8	2,30			
	.5		48,2	3000	5100	102,8	153,4	77,5	0,855	91,3	45,1	2804	4767	96,1	153,4	77,5	2,59			
	.7		59,1	4000	6800	136,3	141,1	90,9	0,881	92,6	55,2	3739	6357	127,4	141,1	90,9	2,51			
	3		.1	22,0	1000	1500	36,0	210,0	40,6	0,837	81,2	20,6	935	1402	33,7	210,0	40,6	2,10	0,094	
			.2	33,0	1500	2500	52,7	210,1	57,3	0,839	86,0	30,8	1402	2337	49,3	210,1	57,3	2,30		
		.3	43,0	2000	3400	69,4	205,4	71,1	0,855	88,7	40,2	1870	3178	64,9	205,4	71,1	2,37			
		.5	58,4	3000	5100	102,5	185,9	95,2	0,839	91,8	54,6	2804	4767	95,8	185,9	95,2	2,80			
		.7	69,0	4000	6800	136,4	164,7	103,9	0,898	92,7	64,5	3739	6357	127,5	164,7	103,9	2,39			
		4	.1	28,4	1000	1500	35,9	271,0	49,8	0,865	82,7	26,5	935	1402	33,6	271,0	49,8	2,14		0,122
			.2	43,0	1500	2500	52,4	274,0	74,0	0,834	87,3	40,2	1402	2337	49,0	274,0	74,0	2,52		
	.3		57,0	2000	3400	69,0	272,0	96,2	0,827	89,9	53,3	1870	3178	64,5	272,0	96,2	2,70			
	.5		74,2	3000	5100	102,4	236,1	117,8	0,855	92,4	69,4	2804	4767	95,7	236,1	117,8	2,94			
	.7		93,0	4000	6800	135,7	222,0	143,6	0,868	93,6	86,9	3739	6357	126,9	222,0	143,6	3,01			
	5		.1	36,0	1000	1500	35,9	344,0	62,1	0,872	83,3	33,7	935	1402	33,6	344,0	62,1	2,17	0,150	
			.2	53,0	1500	2500	52,2	338,0	91,4	0,825	88,2	49,5	1402	2337	48,8	338,0	91,4	2,69		
		.3	70,0	2000	3400	69,1	334,0	112,9	0,862	90,3	65,4	1870	3178	64,6	334,0	112,9	2,62			
		.5	91,0	3000	5100	102,1	290,0	147,0	0,836	92,9	85,1	2804	4767	95,4	290,0	147,0	3,25			
		.7	111,5	4000	6800	135,6	266,0	170,6	0,874	93,9	104,2	3739	6357	126,8	266,0	170,6	3,13			

For further details and for motor curves, see motor manual HDP MANUM05.yymm.E

Technical Data

HDP IP23 Series radial fan, H160



Rated voltage 400V/370V

VN [H160 IP23]

Duty			S1 400 V									S1 370 V								
Size	Length	Speed	Power P _N [kW]	Speed n _N [rpm]	Max speed at const P n _{max} [rpm]	Frequency f _N [Hz]	Torque T _N [Nm]	Current I _N [A]	Power factor cos φ	Eff. %	Power P _N [kW]	Speed n _N [rpm]	Max speed at const P n _{max} [rpm]	Frequency f _N [Hz]	Torque T _N [Nm]	Current I _N [A]	Torque T _{max} / T _N	Inertia J [kg.m ²]		
VN	1	.0	17,2	500	1000	18,0	329	39,4	0,808	77,8	15,9	463	925	16,7	329	39,4	2,12	0,24		
		.1	34,7	1000	2200	34,7	331	70,2	0,818	87,1	32,1	925	2035	32,1	331	70,2	2,54			
		.2	51,5	1500	3300	51,4	328	97,3	0,842	90,6	47,6	1388	3053	47,5	328	97,3	2,67			
		.3	67,1	2000	4400	68,0	320	127,3	0,824	92,2	62,1	1850	4070	62,9	320	127,3	2,95			
		.5	91,0	3000	6500	101,3	290	165,1	0,846	94,0	84,2	2775	6013	93,7	290	165,1	3,15			
	2	.0	20,6	500	1000	17,9	394	45,8	0,819	79,3	19,1	463	925	16,6	394	45,8	2,21	0,28		
		.1	41,6	1000	2200	34,6	397	81,7	0,833	88,1	38,5	925	2035	32,0	397	81,7	2,65			
		.2	62,0	1500	3300	51,3	394	116,2	0,844	91,1	57,4	1388	3053	47,5	394	116,2	2,82			
		.3	79,0	2000	4400	67,9	377	149,3	0,823	92,8	73,1	1850	4070	62,8	377	149,3	3,18			
		.5	105,0	3000	6500	101,2	334	188,1	0,853	94,4	97,1	2775	6013	93,6	334	188,1	3,30			
	3	.0	24,2	500	1000	17,8	463	52,1	0,825	81,1	22,4	463	925	16,5	463	52,1	2,36	0,34		
		.1	48,0	1000	2200	34,5	458	95,0	0,818	89,0	44,4	925	2035	31,9	458	95,0	2,93			
		.2	71,2	1500	3300	51,2	453	131,4	0,851	91,9	65,9	1388	3053	47,4	453	131,4	3,01			
		.3	92,0	2000	4400	67,8	440	167,1	0,852	93,2	85,1	1850	4070	62,7	440	167,1	3,20			
		.5	123,2	3000	6500	101,1	392	215,0	0,874	94,7	114,0	2775	6013	93,5	392	215,0	3,35			
	4	.0	27,5	500	1000	17,8	525	57,2	0,844	82,2	25,4	463	925	16,5	525	57,2	2,41	0,40		
		.1	56,0	1000	2200	34,4	535	108,5	0,831	89,6	51,8	925	2035	31,8	535	108,5	2,98			
		.2	82,0	1500	3300	51,1	523	148,1	0,867	92,2	75,9	1388	3053	47,3	523	148,1	3,03			
		.3	105,0	2000	4400	67,8	501	186,2	0,870	93,5	97,1	1850	4070	62,7	501	186,2	3,21			
		.5	136,5	3000	6500	101,1	435	233,0	0,890	94,9	126,3	2775	6013	93,5	435	233,0	3,36			
5	.0	30,5	500	1000	17,7	584	62,7	0,845	83,0	28,2	463	925	16,4	584	62,7	2,52	0,46			
	.1	62,1	1000	2200	34,4	592	120,7	0,823	90,1	57,4	925	2035	31,8	592	120,7	3,18				
	.2	92,2	1500	3300	51,0	587	169,6	0,847	92,6	85,3	1388	3053	47,2	587	169,6	3,30				
	.3	117,4	2000	4400	67,7	561	211,0	0,856	93,7	108,6	1850	4070	62,6	561	211,0	3,47				
	.5	156,0	3000	6500	101,1	496	267,0	0,889	95,0	144,3	2775	6013	93,5	496	267,0	3,50				

Rated voltage 460V/430V

VN [H160 IP23]

Duty			S1 460 V									S1 430 V								
Size	Length	Speed	Power P _N [kW]	Speed n _N [rpm]	Max speed at const P n _{max} [rpm]	Frequency f _N [Hz]	Torque T _N [Nm]	Current I _N [A]	Power factor cos φ	Eff. %	Power P _N [kW]	Speed n _N [rpm]	Max speed at const P n _{max} [rpm]	Frequency f _N [Hz]	Torque T _N [Nm]	Current I _N [A]	Torque T _{max} / T _N	Inertia J [kg.m ²]		
VN	1	.0	17,2	500	1000	18,0	328	34,5	0,801	78,0	16,1	467	935	16,8	328	34,5	2,16	0,24		
		.1	34,7	1000	2200	34,7	331	60,3	0,828	87,2	32,4	935	2057	32,4	331	60,3	2,51			
		.2	51,5	1500	3300	51,4	328	84,2	0,847	90,6	48,1	1402	3085	48,0	328	84,2	2,65			
		.3	67,1	2000	4400	68,0	321	108,1	0,843	92,3	62,7	1870	4113	63,6	321	108,1	2,84			
		.5	91,0	3000	6500	101,3	290	142,5	0,852	94,0	85,1	2804	6076	94,7	290	142,5	3,11			
	2	.0	20,6	500	1000	18,0	392	39,3	0,830	79,2	19,3	467	935	16,8	392	39,3	2,16	0,28		
		.1	41,6	1000	2200	34,6	398	70,3	0,842	88,1	38,9	935	2057	32,3	398	70,3	2,60			
		.2	62,0	1500	3300	51,3	395	100,0	0,852	91,2	58,0	1402	3085	48,0	395	100,0	2,77			
		.3	79,0	2000	4400	67,8	377	131,0	0,815	92,8	73,8	1870	4113	63,4	377	131,0	3,22			
		.5	105,0	3000	6500	101,2	334	163,6	0,853	94,4	98,2	2804	6076	94,6	334	163,6	3,29			
	3	.0	24,2	500	1000	17,8	463	45,5	0,821	81,2	22,6	467	935	16,6	463	45,5	2,39	0,34		
		.1	48,0	1000	2200	34,5	458	81,8	0,826	89,1	44,9	935	2057	32,3	458	81,8	2,91			
		.2	71,2	1500	3300	51,2	453	113,3	0,859	91,8	66,6	1402	3085	47,9	453	113,3	2,96			
		.3	92,0	2000	4400	67,9	439	143,6	0,863	93,2	86,0	1870	4113	63,5	439	143,6	3,11			
		.5	123,2	3000	6500	101,2	392	184,9	0,883	94,7	115,2	2804	6076	94,6	392	184,9	3,21			
	4	.0	27,5	500	1000	17,8	525	50,0	0,837	82,3	25,7	467	935	16,6	525	50,0	2,44	0,40		
		.1	56,0	1000	2200	34,4	535	93,6	0,838	89,6	52,3	935	2057	32,2	535	93,6	2,95			
		.2	82,0	1500	3300	51,1	522	128,9	0,866	92,2	76,7	1402	3085	47,8	522	128,9	3,04			
		.3	105,0	2000	4400	67,8	501	162,7	0,866	93,6	98,2	1870	4113	63,4	501	162,7	3,26			
		.5	136,5	3000	6500	101,1	434	206,0	0,878	94,9	127,6	2804	6076	94,5	434	206,0	3,31			
5	.0	30,5	500	1000	17,7	583	55,3	0,831	83,2	28,5	467	935	16,5	583	55,3	2,60	0,46			
	.1	62,1	1000	2200	34,3	594	105,1	0,822	90,1	58,1	935	2057	32,1	594	105,1	3,19				
	.2	92,2	1500	3300	51,0	587	150,2	0,832	92,6	86,2	1402	3085	47,7	587	150,2	3,41				
	.3	117,4	2000	4400	67,8	560	181,0	0,868	93,8	109,7	1870	4113	63,4	560	181,0	3,38				
	.5	156,0	3000	6500	101,1	496	233,0	0,886	95,0	145,8	2804	6076	94,5	496	233,0	3,40				

Technical Data

HDP IP23 Series radial fan, H200



Rated voltage 400V/370

VR [H200 IP23]

Duty			S1 400 V								S1 370 V								Inertia J [kg.m ²]
Size	Length	Speed	Power P _N [kW]	Speed n _N [rpm]	Max speed at const P n _{max} [rpm]	Frequency f _N [Hz]	Torque T _N [Nm]	Current I _N [A]	Power factor cos φ	Eff. %	Power P _N [kW]	Speed n _N [rpm]	Max speed at const P n _{max} [rpm]	Frequency f _N [Hz]	Torque T _N [Nm]	Current I _N [A]	Torque T _{max} / T _N		
VR	1	.0	38,0	500	750	18,0	725	78	0,874	79,9	35,2	463	694	16,7	725	78	1,70	0,68	
		.1	76,0	1000	1800	34,5	726	145	0,850	88,8	70,3	925	1665	31,9	726	145	2,13		
		.2	109,4	1500	2700	51,1	697	203	0,844	92,1	101,2	1388	2498	47,3	697	203	2,36		
		.3	138,0	2000	3600	67,8	659	247	0,861	93,6	127,7	1850	3330	62,7	659	247	2,43		
		.4	161,0	2500	4500	84,4	615	282	0,873	94,5	148,9	2313	4163	78,1	615	282	2,51		
	2	.0	43,6	500	750	17,9	831	88	0,873	81,7	40,3	463	694	16,6	831	88	1,83	0,78	
		.1	87,0	1000	1800	34,4	832	164	0,857	89,6	80,5	925	1665	31,8	832	164	2,22		
		.2	125,2	1500	2700	51,1	796	228	0,856	92,5	115,8	1388	2498	47,3	796	228	2,42		
		.3	158,0	2000	3600	67,7	755	278	0,874	93,9	146,2	1850	3330	62,6	755	278	2,47		
		.4	186,0	2500	4500	84,4	710	325	0,872	94,7	172,1	2313	4163	78,1	710	325	2,64		
	3	.0	50,0	500	750	17,8	954	99	0,878	83,0	46,3	463	694	16,5	954	99	1,92	0,91	
		.1	100,6	1000	1800	34,4	960	187	0,858	90,4	93,1	925	1665	31,8	960	187	2,34		
		.2	146,2	1500	2700	51,0	931	263	0,862	93,0	135,2	1388	2498	47,2	931	263	2,51		
		.3	184,0	2000	3600	67,7	878	319	0,883	94,2	170,2	1850	3330	62,6	878	319	2,52		
		.4	214,0	2500	4500	84,4	817	364	0,895	94,9	198,0	2313	4163	78,1	817	364	2,59		
	4	.0	58,8	500	750	17,6	1125	116	0,863	84,7	54,4	463	694	16,3	1125	116	2,14	1,09	
		.1	120,0	1000	1800	34,3	1145	222	0,856	91,0	111,0	925	1665	31,7	1145	222	2,48		
		.2	175,0	1500	2700	51,0	1113	312	0,867	93,4	161,9	1388	2498	47,2	1113	312	2,61		
		.3	212,0	2000	3600	67,6	1012	364	0,889	94,6	196,1	1850	3330	62,5	1012	364	2,67		
		.4	242,4	2500	4500	84,2	926	416	0,882	95,3	224,2	2313	4163	77,9	926	416	2,99		
5	.0	70,0	500	750	17,5	1339	136	0,862	86,1	64,8	463	694	16,2	1339	136	2,33	1,34		
	.1	137,0	1000	1800	34,2	1308	248	0,869	91,9	126,7	925	1665	31,6	1308	248	2,70			
	.2	202,0	1500	2700	50,8	1286	363	0,855	94,0	186,9	1388	2498	47,0	1286	363	2,97			
	.3	262,3	2000	3600	67,6	1252	446	0,896	94,9	242,6	1850	3330	62,5	1252	446	2,73			
	.4	270,0	2500	4500	84,2	1031	452	0,902	95,6	249,8	2313	4163	77,9	1031	452	3,14			

Rated voltage 460V/430

VR [H200 IP23]

Duty			S1 460 V								S1 430 V								Inertia J [kg.m ²]
Size	Length	Speed	Power P _N [kW]	Speed n _N [rpm]	Max speed at const P n _{max} [rpm]	Frequency f _N [Hz]	Torque T _N [Nm]	Current I _N [A]	Power factor cos φ	Eff. %	Power P _N [kW]	Speed n _N [rpm]	Max speed at const P n _{max} [rpm]	Frequency f _N [Hz]	Torque T _N [Nm]	Current I _N [A]	Torque T _{max} / T _N		
VR	1	.0	38,0	500	750	18,0	725	68	0,874	80,4	35,5	467	701	16,8	725	68	1,72	0,68	
		.1	76,0	1000	1800	34,5	726	126	0,848	89,0	71,0	935	1683	32,3	726	126	2,14		
		.2	109,4	1500	2700	51,1	697	176	0,848	92,1	102,3	1402	2524	47,8	697	176	2,34		
		.3	138,0	2000	3600	67,8	659	214	0,866	93,6	129,0	1870	3365	63,4	659	214	2,39		
		.4	161,0	2500	4500	84,4	615	246	0,869	94,5	150,5	2337	4207	78,9	615	246	2,54		
	2	.0	43,6	500	750	17,9	832	77	0,876	81,6	40,8	467	701	16,7	832	77	1,81	0,78	
		.1	87,0	1000	1800	34,4	832	142	0,854	89,8	81,3	935	1683	32,2	832	142	2,24		
		.2	125,2	1500	2700	51,0	798	200	0,850	92,5	117,0	1402	2524	47,7	798	200	2,45		
		.3	158,0	2000	3600	67,7	754	243	0,868	94,0	147,7	1870	3365	63,3	754	243	2,53		
		.4	186,0	2500	4500	84,4	710	280	0,880	94,8	173,9	2337	4207	78,9	710	280	2,58		
	3	.0	50,0	500	750	17,8	954	86	0,880	83,1	46,7	467	701	16,6	954	86	1,92	0,91	
		.1	100,6	1000	1800	34,3	962	164	0,851	90,5	94,0	935	1683	32,1	962	164	2,39		
		.2	146,2	1500	2700	51,0	931	227	0,870	93,0	136,7	1402	2524	47,7	931	227	2,45		
		.3	184,0	2000	3600	67,7	879	277	0,885	94,2	172,0	1870	3365	63,3	879	277	2,49		
		.4	214,0	2500	4500	84,3	818	320	0,884	95,1	200,0	2337	4207	78,8	818	320	2,71		
	4	.0	58,8	500	750	17,6	1125	100	0,866	84,8	55,0	467	701	16,5	1125	100	2,13	1,09	
		.1	120,0	1000	1800	34,3	1145	195	0,848	91,2	112,2	935	1683	32,1	1145	195	2,55		
		.2	175,0	1500	2700	51,0	1113	271	0,866	93,4	163,6	1402	2524	47,7	1113	271	2,62		
		.3	212,0	2000	3600	67,6	1012	320	0,878	94,7	198,2	1870	3365	63,2	1012	320	2,79		
		.4	242,4	2500	4500	84,2	926	361	0,884	95,3	226,6	2337	4207	78,7	926	361	2,97		
5	.0	70,0	500	750	17,5	1339	118	0,864	86,3	65,4	467	701	16,4	1339	118	2,33	1,34		
	.1	137,0	1000	1800	34,2	1309	213	0,878	91,9	128,1	935	1683	32,0	1309	213	2,63			
	.2	202,0	1500	2700	50,9	1285	308	0,878	93,9	188,8	1402	2524	47,6	1285	308	2,80			
	.3	262,3	2000	3600	67,6	1252	387	0,897	94,8	245,2	1870	3365	63,2	1252	387	2,71			
	.4	270,0	2500	4500	84,2	1031	390	0,910	95,5	252,4	2337	4207	78,7	1031	390	2,98			

For further details and for motor curves, see motor manual HDP MANUM05.yymm.E

Technical Data

HDP IP23 Series radial fan, H250



Rated voltage 400V/370V

VT [H250 IP23]

Duty			S1 400 V								S1 370 V								Inertia J [kg.m ²]
Size	Length	Speed	Power	Speed	Max speed at const P	Frequency	Torque	Current	Power factor	Eff.	Power	Speed	Max speed at const P	Frequency	Torque	Current	Torque		
			P _N [kW]	n _N [rpm]	n _{max} [rpm]	f _N [Hz]	T _N [Nm]	I _N [A]	cos φ	%	P _N [kW]	n _N [rpm]	n _{max} [rpm]	f _N [Hz]	T _N [Nm]	I _N [A]	T _{max} /T _N		
VT	1	.0	74	500	750	17,4	1412	144	0,853	86,6	68,5	463	694	16,1	1412	144	1,81	2,12	
		.1	148	1000	1650	34,0	1415	271	0,853	92,5	136,9	925	1526	31,5	1415	271	2,03		
		.2	220	1500	2450	50,7	1401	394	0,854	94,3	203,5	1388	2266	46,9	1401	394	2,01		
		.A	255	1750	3000	59,0	1391	462	0,839	94,9	235,9	1619	2775	54,6	1391	462	2,16		
		.3	282	2000	3400	67,3	1347	502	0,850	95,3	260,9	1850	3145	62,3	1347	502	2,15		
	2	.4	340	2500	4500	83,9	1299	618	0,829	95,9	314,5	2313	4163	77,6	1299	618	2,39	2,55	
		.0	91	500	800	17,3	1738	174	0,851	88,5	84,2	463	740	16,0	1738	174	1,97		
		.1	180	1000	1700	33,9	1721	328	0,848	93,3	166,5	925	1573	31,4	1721	328	2,16		
		.2	265	1500	2500	50,6	1688	467	0,864	94,8	245,1	1388	2313	46,8	1688	467	2,17		
		.A	300	1750	3000	59,0	1636	528	0,861	95,2	277,5	1619	2775	54,6	1636	528	2,19		
	3	.3	345	2000	3600	67,2	1648	624	0,834	95,7	319,1	1850	3330	62,2	1648	624	2,42	3,18	
		.4	422	2500	4500	83,9	1612	741	0,855	96,1	390,4	2313	4163	77,6	1612	741	2,34		
		.0	116	500	800	17,3	2211	217	0,862	89,4	107,3	463	740	16,0	2211	217	2,03		
		.1	228	1000	1700	33,9	2177	411	0,853	93,8	210,9	925	1573	31,4	2177	411	2,21		
		.2	330	1500	2700	50,6	2099	587	0,853	95,1	305,3	1388	2498	46,8	2099	587	2,31		
	4	.A	380	1750	3000	58,9	2073	667	0,861	95,5	351,5	1619	2775	54,5	2073	667	2,29	3,68	
		.3	430	2000	3600	67,2	2053	763	0,849	95,8	397,8	1850	3330	62,2	2053	763	2,42		
		.4	514	2500	4500	83,9	1963	891	0,865	96,2	475,5	2313	4163	77,6	1963	891	2,38		
		.0	133	500	850	17,2	2540	250	0,849	90,3	123,0	463	786	15,9	2540	250	2,17		
		.1	257	1000	1800	33,8	2458	465	0,848	94,0	237,7	925	1665	31,3	2458	465	2,37		
	5	.2	375	1500	2700	50,5	2389	656	0,866	95,3	346,9	1388	2498	46,7	2389	656	2,32	4,12	
		.A	433	1750	3000	58,9	2361	755	0,865	95,7	400,5	1619	2775	54,5	2361	755	2,37		
		.3	490	2000	3400	67,2	2340	843	0,873	96,1	453,3	1850	3145	62,2	2340	843	2,33		
		.4	580	2500	4500	83,8	2216	999	0,869	96,5	536,5	2313	4163	77,5	2216	999	2,50		
.0		153	500	900	17,2	2920	288	0,850	90,1	141,5	463	833	15,9	2920	288	2,16			
6	.1	296	1000	1800	33,9	2823	528	0,860	94,0	273,8	925	1665	31,4	2823	528	2,28	4,52		
	.2	435	1500	2700	50,5	2772	750	0,877	95,4	402,4	1388	2498	46,7	2772	750	2,30			
	.A	500	1750	3000	58,9	2727	863	0,872	95,9	462,5	1619	2775	54,5	2727	863	2,32			
	.3	560	2000	3600	67,2	2673	976	0,862	96,1	518,0	1850	3330	62,2	2673	976	2,45			
	.4	675	2500	4500	83,8	2579	1173	0,860	96,5	624,4	2313	4163	77,5	2579	1173	2,55			
	6	.0	180	500	800	17,2	3445	334	0,863	90,1	166,5	463	740	15,9	3445	334	2,05	4,52	
		.1	350	1000	1700	33,9	3339	628	0,855	94,0	323,8	925	1573	31,4	3339	628	2,23		
		.2	500	1500	2800	50,5	3183	891	0,847	95,6	462,5	1388	2590	46,7	3183	891	2,43		
		.A	573	1750	3000	58,9	3125	990	0,872	95,9	530,0	1619	2775	54,5	3125	990	2,34		
		.3	643	2000	3500	67,2	3069	1110	0,870	96,2	594,8	1850	3238	62,2	3069	1110	2,41		
.4	750	2500	4400	83,8	2866	1284	0,874	96,5	693,8	2313	4070	77,5	2866	1284	2,43				

Technical Data

HDP IP23 Series radial fan, H250



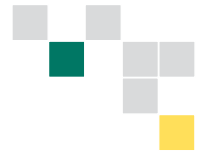
Rated voltage 460V/430V

VT [H250 IP23]

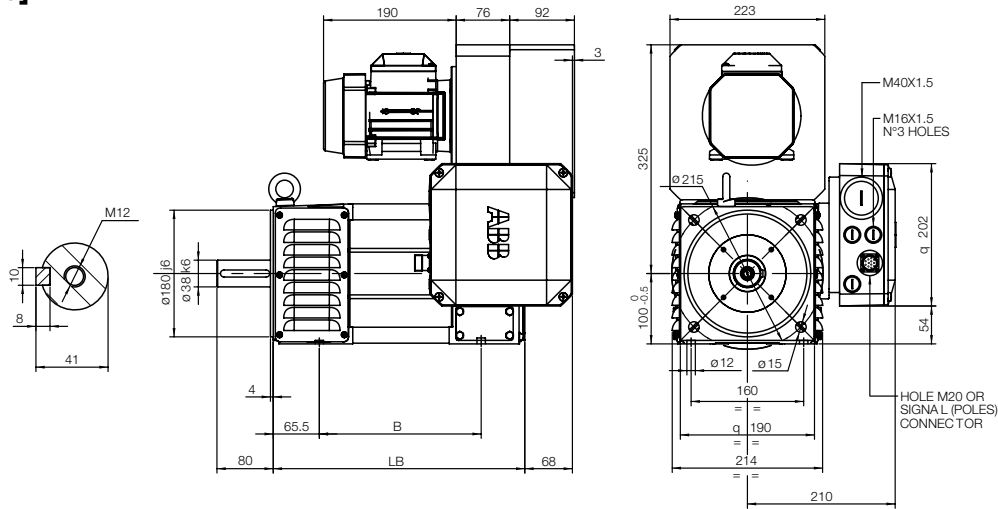
Duty			S1 460 V								S1 430 V							
Size	Length	Speed	Power	Speed	Max speed at const P	Frequency	Torque	Current	Power factor	Eff.	Power	Speed	Max speed at const P	Frequency	Torque	Current	Torque	Inertia
			P _N [kW]	n _N [rpm]	n _{max} [rpm]	f _N [Hz]	T _N [Nm]	I _N [A]	cos φ	%	P _N [kW]	n _N [rpm]	n _{max} [rpm]	f _N [Hz]	T _N [Nm]	I _N [A]	T _{max} /T _N	J [kg.m ²]
VT	1	.0	74	500	750	17,4	1413	124	0,859	86,8	69,2	467	701	16,3	1413	124	1,83	2,12
		.1	148	1000	1650	34,0	1414	237	0,846	92,5	138,3	935	1542	31,8	1414	237	2,02	
		.2	220	1500	2500	50,7	1400	343	0,853	94,3	205,7	1402	2337	47,4	1400	343	2,10	
		.A	255	1750	3000	59,0	1392	397	0,850	94,9	238,4	1636	2804	55,2	1392	397	2,15	
		.3	282	2000	3400	67,3	1347	440	0,845	95,2	263,6	1870	3178	62,9	1347	440	2,18	
		.4	340	2500	4500	83,9	1299	540	0,824	95,9	317,8	2337	4207	78,4	1299	540	2,41	
	2	.0	91	500	800	17,3	1738	151	0,855	88,5	85,1	467	748	16,2	1738	151	1,99	2,55
		.1	180	1000	1700	33,9	1721	287	0,844	93,3	168,3	935	1589	31,7	1721	287	2,18	
		.2	265	1500	2500	50,6	1688	412	0,851	94,8	247,7	1402	2337	47,3	1688	412	2,17	
		.A	300	1750	3000	59,0	1636	456	0,867	95,2	280,4	1636	2804	55,2	1636	456	2,18	
		.3	345	2000	3600	67,2	1648	546	0,829	95,7	322,5	1870	3365	62,8	1648	546	2,41	
		.4	422	2500	4400	83,9	1613	639	0,863	96,1	394,5	2337	4113	78,4	1613	639	2,28	
	3	.0	116	500	800	17,3	2209	190	0,856	89,5	108,4	467	748	16,2	2209	190	2,08	3,18
		.1	228	1000	1700	33,9	2177	357	0,856	93,7	213,1	935	1589	31,7	2177	357	2,26	
		.2	330	1500	2700	50,6	2100	502	0,866	95,2	308,5	1402	2524	47,3	2100	502	2,28	
		.A	380	1750	3000	58,9	2073	582	0,858	95,5	355,2	1636	2804	55,1	2073	582	2,31	
		.3	430	2000	3600	67,2	2053	657	0,857	95,8	402,0	1870	3365	62,8	2053	657	2,36	
		.4	514	2500	4500	83,8	1964	789	0,849	96,3	480,5	2337	4207	78,3	1964	789	2,53	
	4	.0	133	500	850	17,2	2543	216	0,857	90,1	124,3	467	795	16,1	2543	216	2,11	3,68
		.1	257	1000	1800	33,8	2457	403	0,849	94,2	240,2	935	1683	31,6	2457	403	2,44	
		.2	375	1500	2700	50,5	2389	572	0,863	95,3	350,5	1402	2524	47,2	2389	572	2,35	
		.A	433	1750	3000	58,9	2362	651	0,872	95,7	404,8	1636	2804	55,1	2362	651	2,31	
		.3	490	2000	3400	67,2	2340	727	0,881	96,0	458,0	1870	3178	62,8	2340	727	2,32	
		.4	580	2500	4500	83,8	2217	864	0,874	96,4	542,2	2337	4207	78,3	2217	864	2,43	
5	.0	153	500	900	17,2	2923	247	0,859	90,3	143,0	467	841	16,1	2923	247	2,17	4,12	
	.1	296	1000	1800	33,9	2824	455	0,867	94,2	276,7	935	1683	31,7	2824	455	2,30		
	.2	435	1500	2600	50,6	2767	649	0,881	95,4	406,6	1402	2430	47,3	2767	649	2,23		
	.A	500	1750	3000	58,9	2728	744	0,880	95,8	467,4	1636	2804	55,1	2728	744	2,30		
	.3	560	2000	3600	67,2	2673	843	0,867	96,2	523,5	1870	3365	62,8	2673	843	2,41		
	.4	675	2500	4500	83,8	2579	1018	0,863	96,5	631,0	2337	4207	78,3	2579	1018	2,53		
6	.0	180	500	800	17,3	3429	289	0,867	90,1	168,3	467	748	16,2	3429	289	1,96	4,52	
	.1	350	1000	1700	33,9	3341	539	0,866	94,1	327,2	935	1589	31,7	3341	539	2,20		
	.2	500	1500	2800	50,5	3184	766	0,857	95,5	467,4	1402	2617	47,2	3184	766	2,42		
	.A	573	1750	3000	58,8	3128	879	0,852	95,9	535,6	1636	2804	55,0	3128	879	2,44		
	.3	643	2000	3500	67,2	3069	968	0,867	96,2	601,1	1870	3272	62,8	3069	968	2,44		
	.4	750	2500	4400	83,9	2863	1109	0,880	96,5	701,1	2337	4113	78,4	2863	1109	2,36		

Dimension and weight

HDP IP23 Series radial fan, H100 - H132



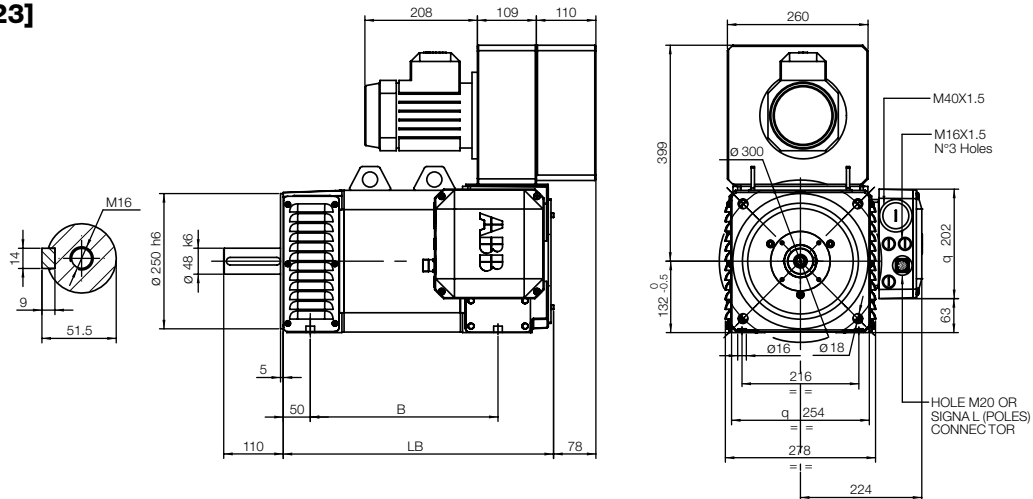
VH [H100 IP23]



Size	With brake			Without brake		
	B	LB**	Weight	B	LB	Weight
VH1	170	388	44	170	298	39
VH2	195	413	48	195	323	43
VH3	230	448	54	230	358	49
VH4	280	498	62	280	408	57
VH5	320	538	70	320	448	65
VH6	362	583	81	362	493	76

** value valid for standard brake only. For value related to improved brake please apply to technical dept.

VM [H132 IP23]



Size	With brake			Without brake		
	B	LB**	Weight	B	LB	Weight
VM1	266	530	114	266	420	104
VM2	311	575	132	311	465	122
VM3	346	610	146	346	500	136
VM4	416	680	174	416	570	164
VM5	486	750	201	486	640	191

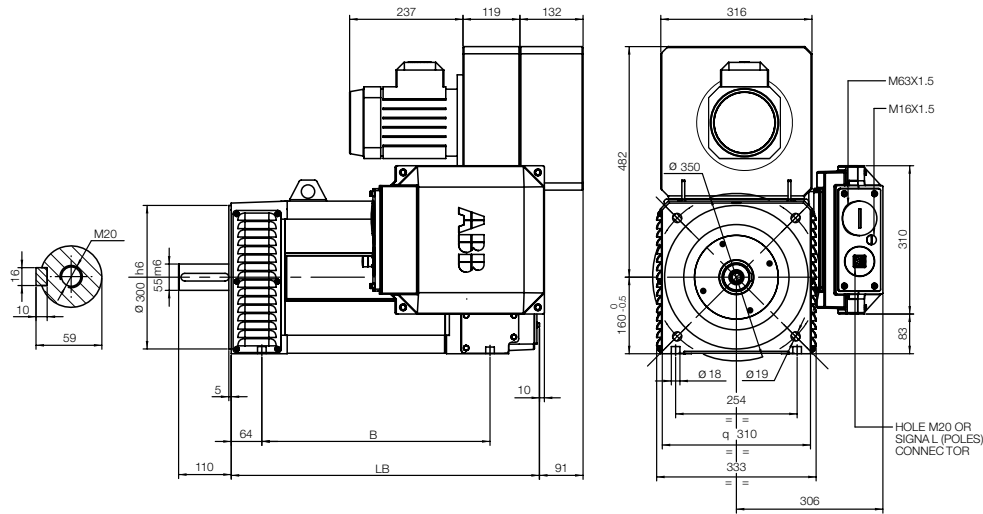
** value valid for standard brake only. For value related to improved brake please apply to technical dept.

Dimension and weight

HDP IP23 Series radial fan, H160 - H200



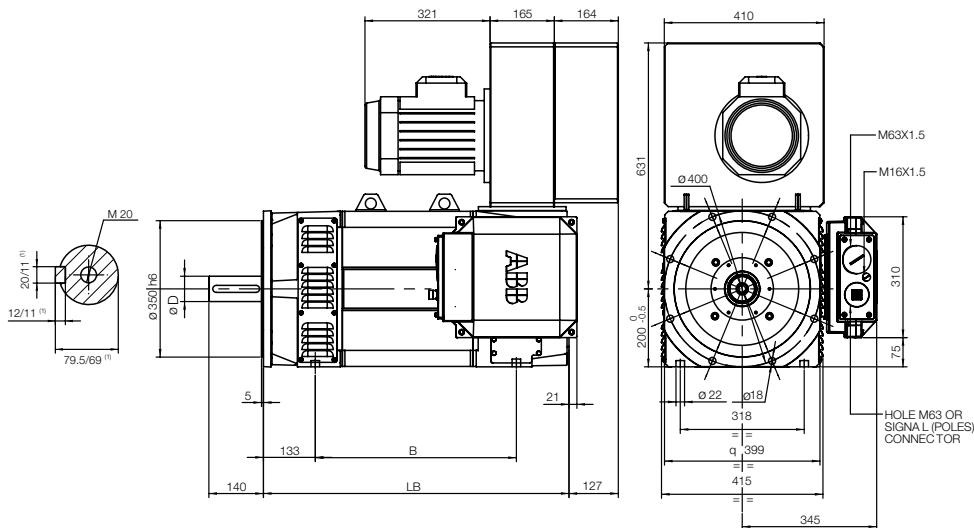
VN [H160 IP23]



Size	With brake			Without brake		
	B	LB**	Weight	B	LB	Weight
VN1	376	664	219	376	534	199
VN2	426	714	248	426	584	228
VN3	486	774	283	486	644	263
VN4	546	834	318	546	704	298
VN5	606	894	353	606	764	333

** value valid for standard brake only. For value related to improved brake please apply to technical dept.

VR [H200 IP23]



Size	With brake			Without brake			Shaft dimension	
	B	LB**	Weight	B	LB	Weight	D Digit code position 12=0	D Digit code position 12=1
VR1	426	828.5	447	426	694	385	65	75
VR2	466	828.5	447	466	734	422		
VR3	516	878.5	494	516	784	469		
VR4	586	948.5	560	586	854	535		
VR5	686	1048.5	654	686	954	629		

** value valid for standard brake only. For value related to improved brake please apply to technical dept.

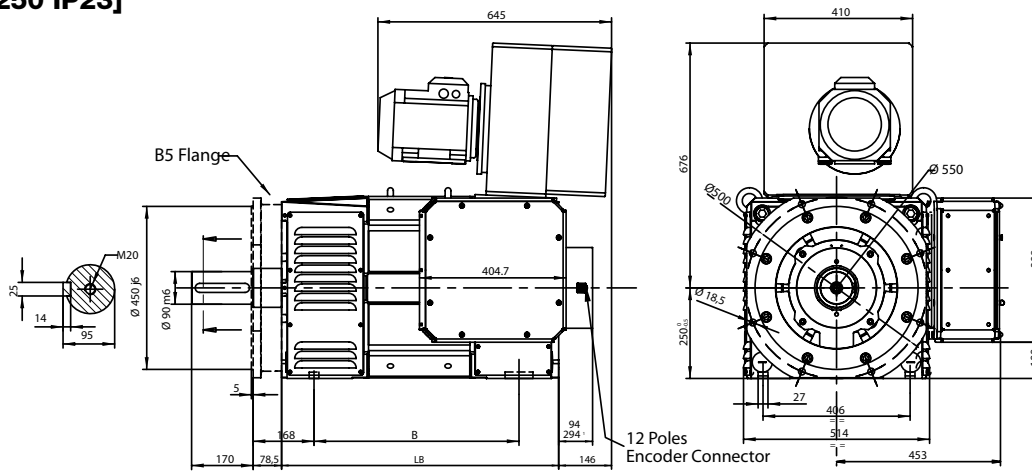
(1) Value with digit code position 12=0

Dimension and weight

HDP IP23 Series radial fan, H250



VT [H250 IP23]



¹ Value with brake and encoder

Size	B		LB	Weight without brake	Weight with brake
	From	To			
VT1	541	591	765	843	903
VT2	611	661	835	973	1033
VT3	711	761	935	1153	1213
VT4	791	841	1015	1303	1363
VT5	861	911	1085	1423	1483
VT6	921	971	1145	1543	1603

Contact us

ABB S.p.A.

Discrete Automation and Motion Division

Servomotors

Via L. Lama, 33

20099 Sesto S. Giovanni (MI) - Italy

Tel.: +39 02 2414 1

Telefax: +39 02 2414 3086

www.abb.com/motors&generators

The data and illustrations are not binding. We reserve the right to modify the contents of this document on the basis of technical development of the products, without prior notice.

2010 ABB. All rights reserved.

604472/015 - 06/10 - 3.000